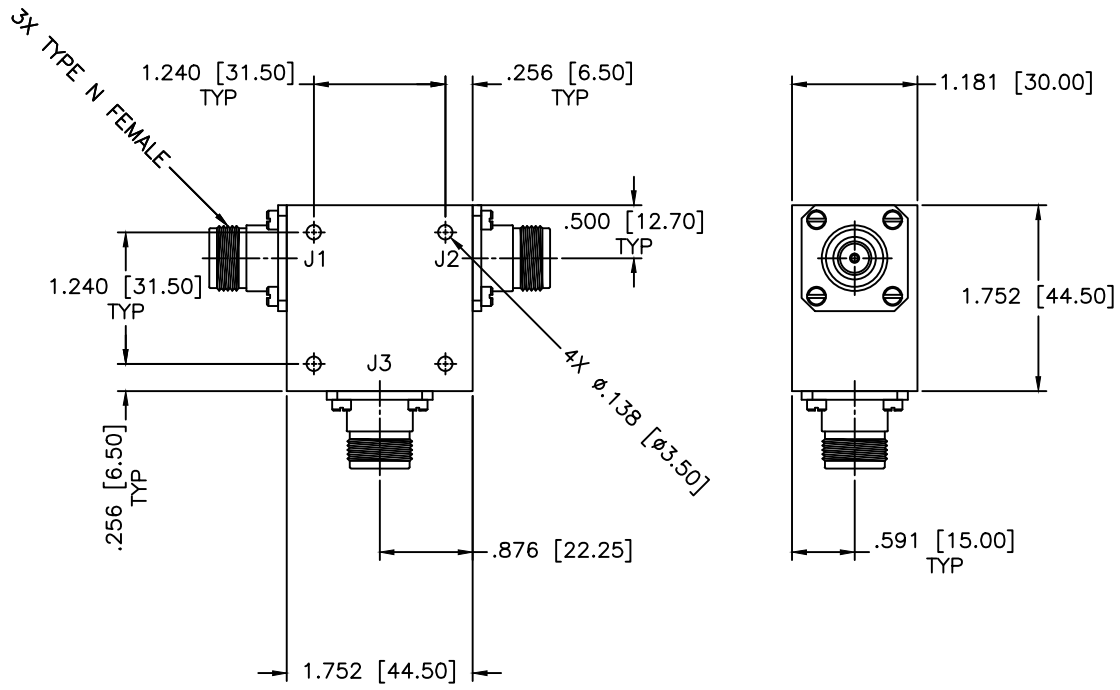


REVISIONS				
ZONE	REV	DESCRIPTION	DATE	APPROVED



SPECIFICATIONS

Operating Temperature: -20°C to $+75^{\circ}\text{C}$
 Frequency Range: 2.7–2.9 GHz
 Isolation: 20dB Min.
 Insertion loss: 0.40dB Max.
 VSWR: 1.20:1 Max.

Spec. at Room Temperature $+25^{\circ}\text{C}$
 Power Handling: 5kW Peak, 500W Avg. (Duty Cycle 10%)
 Isolation: 22dB Min.
 Insertion loss: 0.30dB Max.
 VSWR: 1.18:1 Max.

MATERIAL:				MICROWAVE COMMUNICATIONS LABORATORIES INC. 7250 30TH AVE. N. SAINT PETERSBURG, FL 33710 TEL: (727) 544-6254 FAX: (727) 381-8118 http://www.mcli.com		SCALE: N/A
UNLESS OTHERWISE SPECIFIED:		TOLERANCES		DRAWING TITLE:		COAXIAL CIRCULATOR
IN (INCHES) OR (mm) (MILLIMETERS)		FRACTIONS: $\pm 1/64$		PART NO.:		CS-341/NF
DECIMALS: $\pm 0.02 \pm 0.015$		ANGLE: $\pm 1/2^{\circ}$		CAGE CODE:		OD2L5
DRAWN: Paiboon		DATE: 06-14-2021		SIZE: N/A		REV: N/A
APPROVED: Peter Nguyen		DATE: 10-27-2023		DO NOT SCALE THE DRAWING		DWG NO. 86905