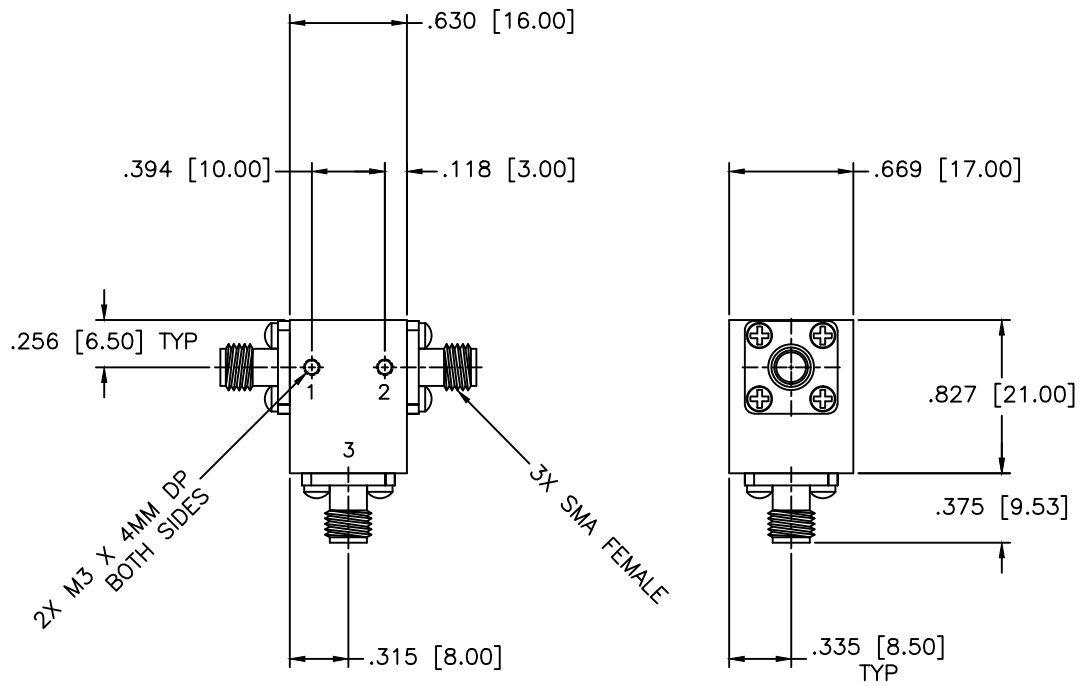


REVISIONS				
ZONE	REV	DESCRIPTION	DATE	APPROVED



SPECIFICATIONS

Frequency Range: 12–18 GHz
 Isolation: 18dB Min.
 Insertion loss: 0.60 dB Max.
 VSWR: 1.30:1 Max.
 Power: 25W Avg, 250W Peak
 Operating Temperature: -54°C TO +85°C

MATERIAL:	
DRAWN: Paiboon Luekhamhan	DATE: 09-17-2010
APPROVED: T. Nguyen	DATE: 09-17-2010

	MICROWAVE COMMUNICATIONS LABORATORIES INC. 7255 30TH AVE. N. SAINT PETERSBURG, FL 33710 TEL: (727) 344-6254 FAX: (727) 381-6116 http://WWW.MCLI.COM		SCALE: N/A
	UNLESS OTHERWISE SPECIFIED: TOLERANCES IN (INCHES) OR [mm] (MILLIMETERS) FRACTIONS: ± 1/64 DECIMALS: ±.01 ±.005 ANGLE: ±1/2°		SHEET: N/A
DRAWING TITLE: COAXIAL CIRCULATOR		PART NO. CS-34	
CAGE CODE: OD2L5	SIZE: A	REV: A	DWG NO. 84814
DO NOT SCALE THE DRAWING			

PROPRIETARY NOTICE:
 THE INFORMATION IN THIS DRAWING IS PROPRIETARY
 AND SHALL NOT BE USED OR DISCLOSED WITHOUT WRITTEN
 PERMISSION FROM MICROWAVE COMMUNICATIONS
 LABORATORIES INC. (MCLI)

THIRD ANGLE PROJECTION