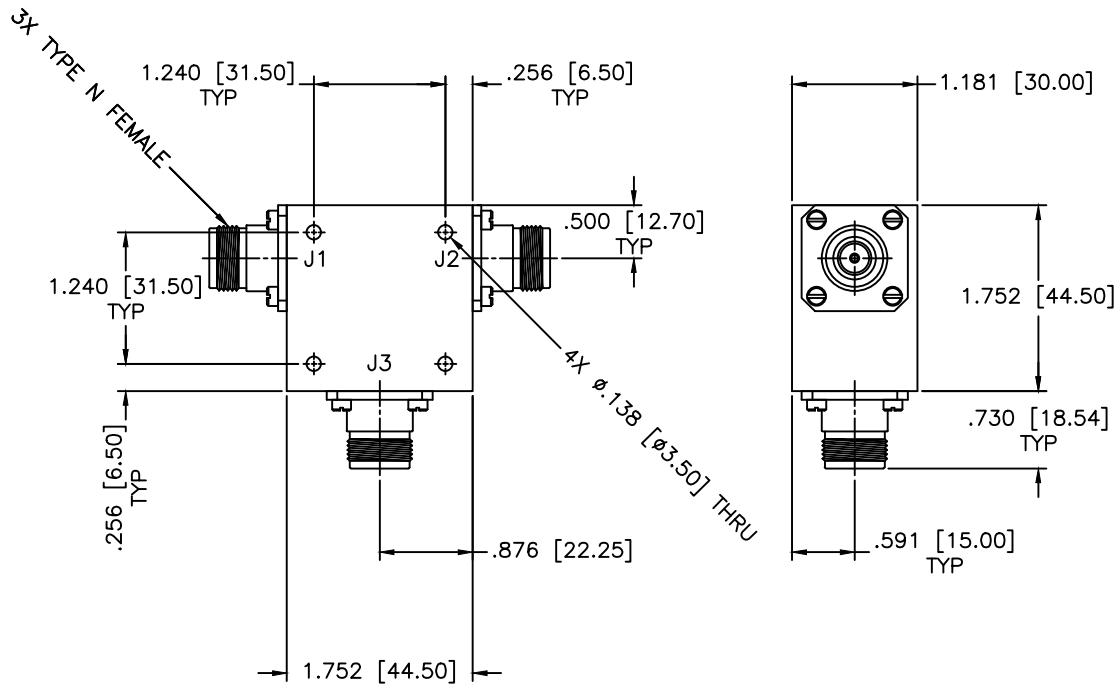


REVISIONS				
ZONE	REV	DESCRIPTION	DATE	APPROVED



SPECIFICATIONS

Frequency Range: 1.805–2.200 GHz
 Isolation: 18dB Min.
 Insertion loss: 0.40dB Max.
 VSWR: 1.25:1 Max.
 Average Power: 500 Watts
 Operating Temperature: -54°C to +85°C

MATERIAL:				MICROWAVE COMMUNICATIONS LABORATORIES INC. 7250 30TH AVE. N. SAINT PETERSBURG, FL 33710 TEL: (727) 544-6254 FAX: (727) 381-8118 http://WWW.MCLI.COM		SCALE: N/A
UNLESS OTHERWISE SPECIFIED: TOLERANCES IN (INCHES) OR (mm) (MILLIMETERS) FRACTIONS: $\pm 1/64$ DECIMALS: $\pm .02 \pm .015$ ANGLE: $\pm 1/2^\circ$		DRAWING TITLE:		COAXIAL CIRCULATOR		SHEET: N/A
DRAWING: Paiboon		DATE: 08-14-2020		PART NO. CS-339/NF		
APPROVED: Peter Nguyen		DATE: 10-27-2023		CAGE CODE: OD2L5		SIZE: N/A
				DO NOT SCALE THE DRAWING		DWG NO. 86845