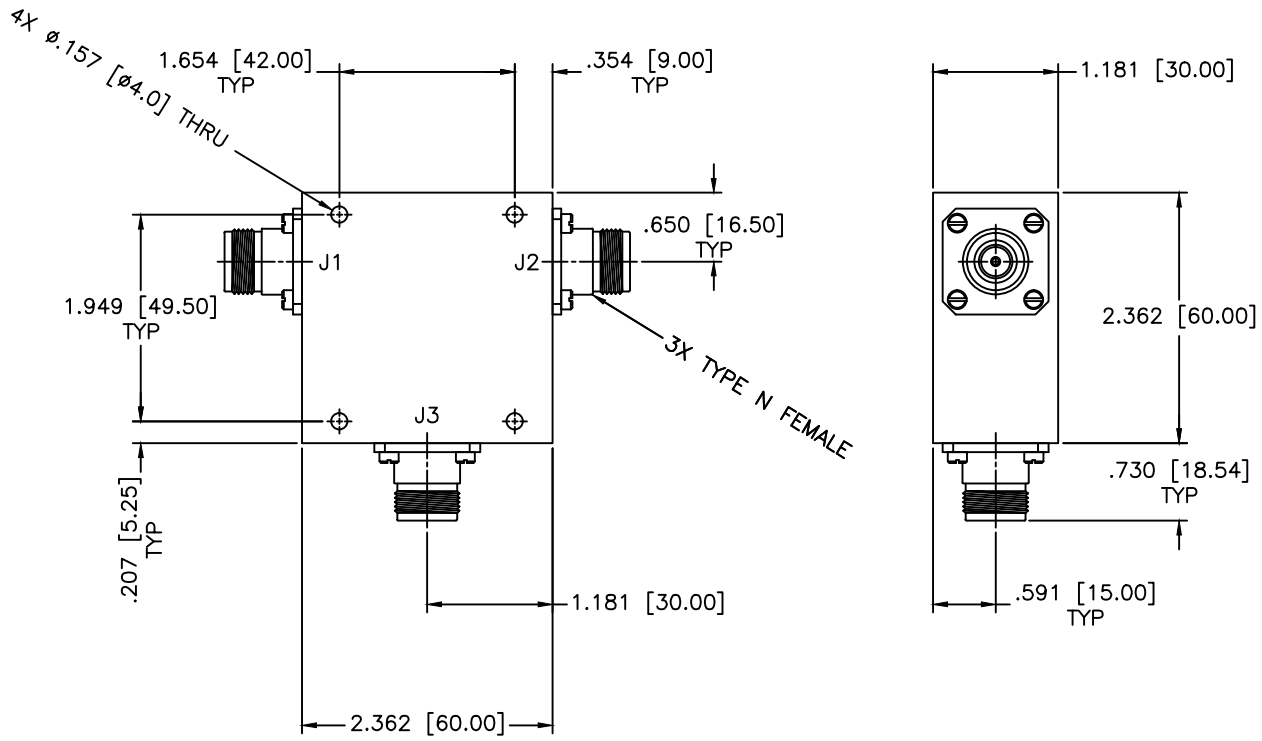


REVISIONS				
ZONE	REV	DESCRIPTION	DATE	APPROVED



**SPECIFICATIONS**

Frequency Range: 925–960 MHz  
 Isolation: 18dB Min.  
 Insertion loss: 0.30dB Max.  
 VSWR: 1.30:1 Max.  
 Average Power: 500 Watts  
 Operating Temperature: -54°C to +85°C

MATERIAL:	DRAWING TITLE: <b>COAXIAL CIRCULATOR</b>	SCALE:	N/A
		SHEET:	N/A
DRAWN: Paiboon	DATE: 08-14-2020	PART NO.:	
		CS-337/NF	
APPROVED: Peter Nguyen	DATE: 10-27-2023	CAGE CODE:	OD2L5
		SIZE:	N/A
UNLESS OTHERWISE SPECIFIED: TOLERANCES: IN (INCHES) OR (mm) (MILLIMETERS) FRACTIONS: ± 1/64 DECIMALS: ± .02 ± .015 ANGLE: ± 1/2°		REV:	N/A
DRAWING NO. CS-337/NF DO NOT SCALE THE DRAWING		DWG NO.:	86843