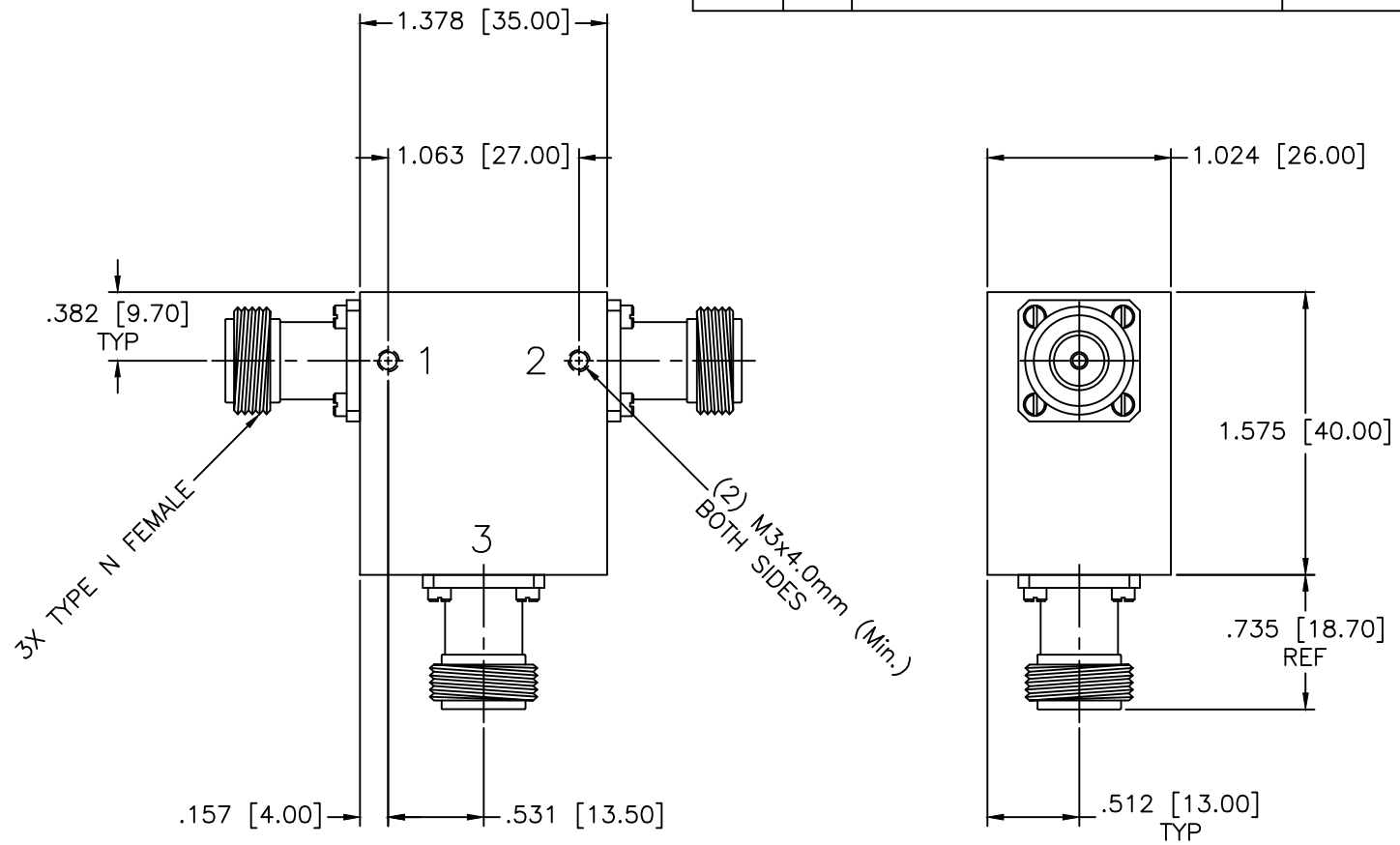




REVISIONS				
ZONE	REV	DESCRIPTION	Date	APPROVED



SPECIFICATIONS
 Frequency Range: 2.0–2.3 GHz
 VSWR: 1.15:1 Max.
 Average Power: 300 Watts
 Insertion Loss: 0.25dB Max.
 Isolation: 20dB Min.

MATERIAL:		MCLI MICROWAVE COMMUNICATIONS LABORATORIES INC. 7255 30TH AVE. N. SAINT PETERSBURG, FL 33710 TEL: (727) 344-6254 FAX: (727) 381-6116 http://WWW.MCLI.COM	SCALE:	N/A
			SHEET:	N/A
UNLESS OTHERWISE SPECIFIED: TOLERANCES IN (INCHES) OR [mm] (MILLIMETERS) FRACTIONS: ± 1/64 DECIMALS: ±.01 ±.005 ANGLE: ±1/2°		DRAWING TITLE: COAXIAL CIRCULATOR		
DRAWN: Paiboon		PART NO. CS-336/NF		
DATE: 05-08-2019		CAGE CODE: 0D2L5		
APPROVED: Peter Nguyen		SIZE: A	REV: N/A	DWG NO. 86808
DATE: 10-27-2023		DO NOT SCALE THE DRAWING		

