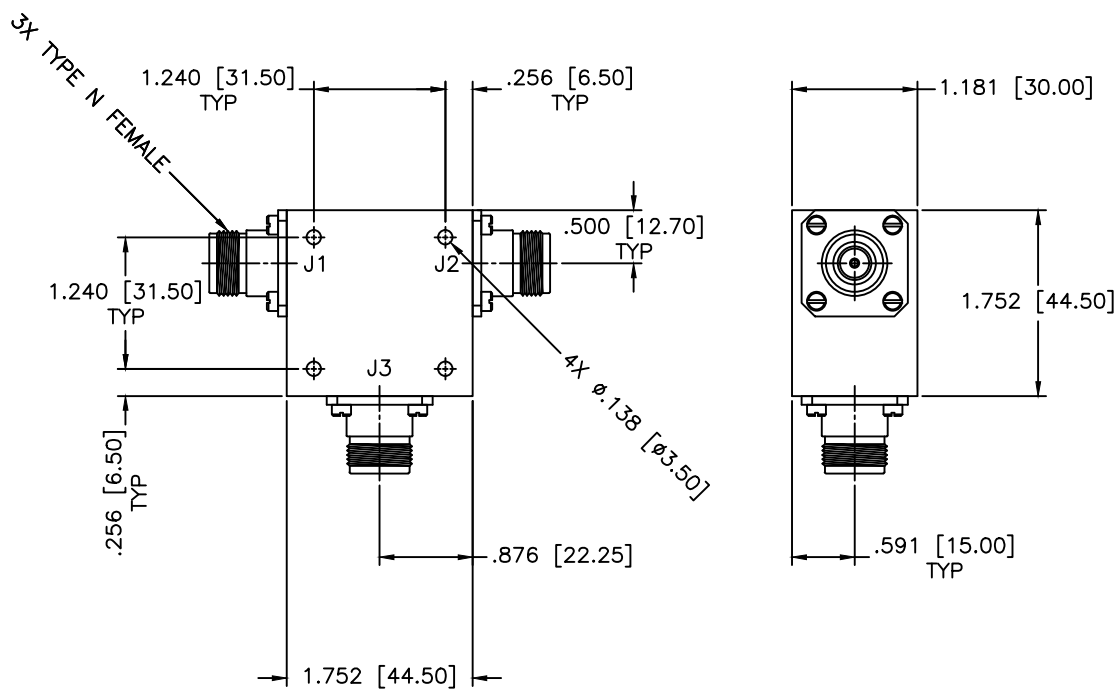


REVISIONS				
ZONE	REV	DESCRIPTION	DATE	APPROVED



**SPECIFICATIONS**

Frequency Range: 3.4–3.6 GHz  
 Isolation: 21dB Min.  
 Insertion loss: 0.30dB Max.  
 VSWR: 1.20:1 Max.  
 Average Power: 500W  
 Peak Power: 10kW  
 Operating Temperature: -54°C to +85°C

MATERIAL:				MICROWAVE COMMUNICATIONS LABORATORIES INC. 7250 30TH AVE. N. SAINT PETERSBURG, FL 33710 TEL: (727) 544-6254 FAX: (727) 381-0110 http://www.MCLI.COM		SCALE: N/A SHEET: N/A	
DRAWING TITLE:		COAXIAL CIRCULATOR					
PART NO.:		CS-334/NF					
DRAWING:		Paiboon DATE: 01-31-2013		UNLESS OTHERWISE SPECIFIED: TOLERANCES IN (INCHES) OR (mm) (MILLIMETERS) FRACTIONS: ± 1/64 DECIMALS: ± .02 ± .015 ANGLE: ± 1/2°		CAGE CODE: OD2L5 SIZE: N/A REV: N/A DO NOT SCALE THE DRAWING	
APPROVED:		Peter Nguyen DATE: 10-27-2023		THE INFORMATION ON THIS DRAWING IS PROPRIETARY AND SHALL NOT BE USED OR DISCLOSED WITHOUT PERMISSION FROM MICROWAVE COMMUNICATIONS LABORATORIES INC. (MCLI)		DWG NO.: 86207	