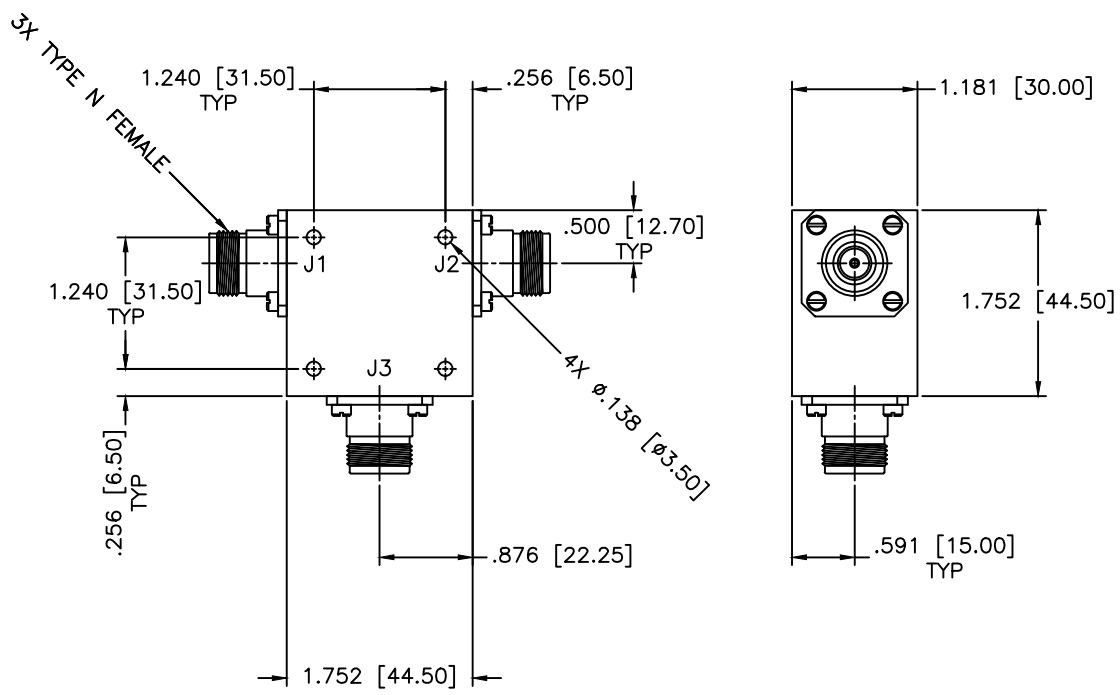


REVISIONS				
ZONE	REV	DESCRIPTION	DATE	APPROVED



SPECIFICATIONS

Operating Temperature: -54°C to +85°C
 Frequency Range: 2.40-2.50 GHz
 Isolation: 20dB Min.
 Insertion loss: 0.20dB Max.
 VSWR: 1.20:1 Max.
 Power Rating at Room Temperature +25°C
 Forward Power: 300 Watts
 Reverse Power: 500 Watts

MATERIAL:				MICROWAVE COMMUNICATIONS LABORATORIES INC. 7250 30TH AVE. N. SAINT PETERSBURG, FL 33710 TEL: (727) 544-6254 FAX: (727) 381-0110 http://WWW.MCLI.COM		SCALE: N/A
UNLESS OTHERWISE SPECIFIED:		TOLERANCES		DRAWING TITLE: COAXIAL CIRCULATOR		SHEET: N/A
IN (INCHES) OR (mm) (MILLIMETERS)		FRACTIONS: \pm 1/64		PART NO. CS-333/NF		
DECIMALS: \pm .02 \pm .015		ANGLE: \pm 1/2°		CAGE CODE: OD2L5		
DRAWN: Paiboon	DATE: 01-15-2013	<small>THE INFORMATION ON THIS DRAWING IS PROPERTY OF MCLI AND IS NOT TO BE REPRODUCED OR TRANSMITTED IN ANY FORM OR BY ANY MEANS, ELECTRONIC OR MECHANICAL, INCLUDING PHOTOCOPYING, RECORDING, OR BY ANY INFORMATION STORAGE AND RETRIEVAL SYSTEM.</small>		SIZE: N/A	REV: N/A	DWG NO. 86201
APPROVED: Peter Nguyen	DATE: 10-27-2023			DO NOT SCALE THE DRAWING		