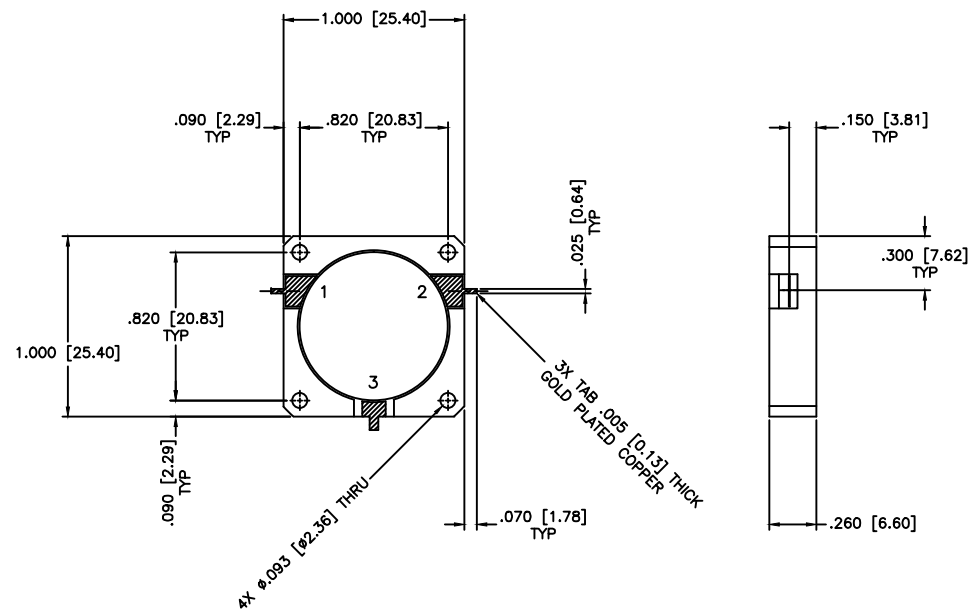


REVISIONS				
ZONE	REV	DESCRIPTION	Date	APPROVED



SPECIFICATIONS

Frequency Range: 995–1005 MHz
 Isolation: 20dB Min.
 Insertion loss: 0.3dB Max.
 VSWR: 1.22:1 Max.
 Operating Temperature: -45°C to +85°C
 Circulator Power: 50W

MATERIAL:		MCLI MICROWAVE COMMUNICATIONS LABORATORIES INC. 7255 30TH AVE. N. SAINT PETERSBURG, FL 33710 TEL: (727) 344-6254 FAX: (727) 381-6116 http://www.MCLI.COM	SCALE:	N/A
			SHEET:	N/A
UNLESS OTHERWISE SPECIFIED: TOLERANCES IN (INCHES) OR [mm] (MILLIMETERS) FRACTIONS: ± 1/64 DECIMALS: ±.01 ±.005 ANGLE: ±1/2°		DRAWING TITLE: CIRCULATOR		
DRAWN: Paiboon		PART NO.: CS-328		
DATE: 05-25-2010		CAGE CODE: OD2L5		
APPROVED: Peter Nguyen		DATE: 10-27-2023		
THIRD ANGLE PROJECTION		SIZE: A	REV: N/A	DWG NO.: 84887
		DO NOT SCALE THE DRAWING		