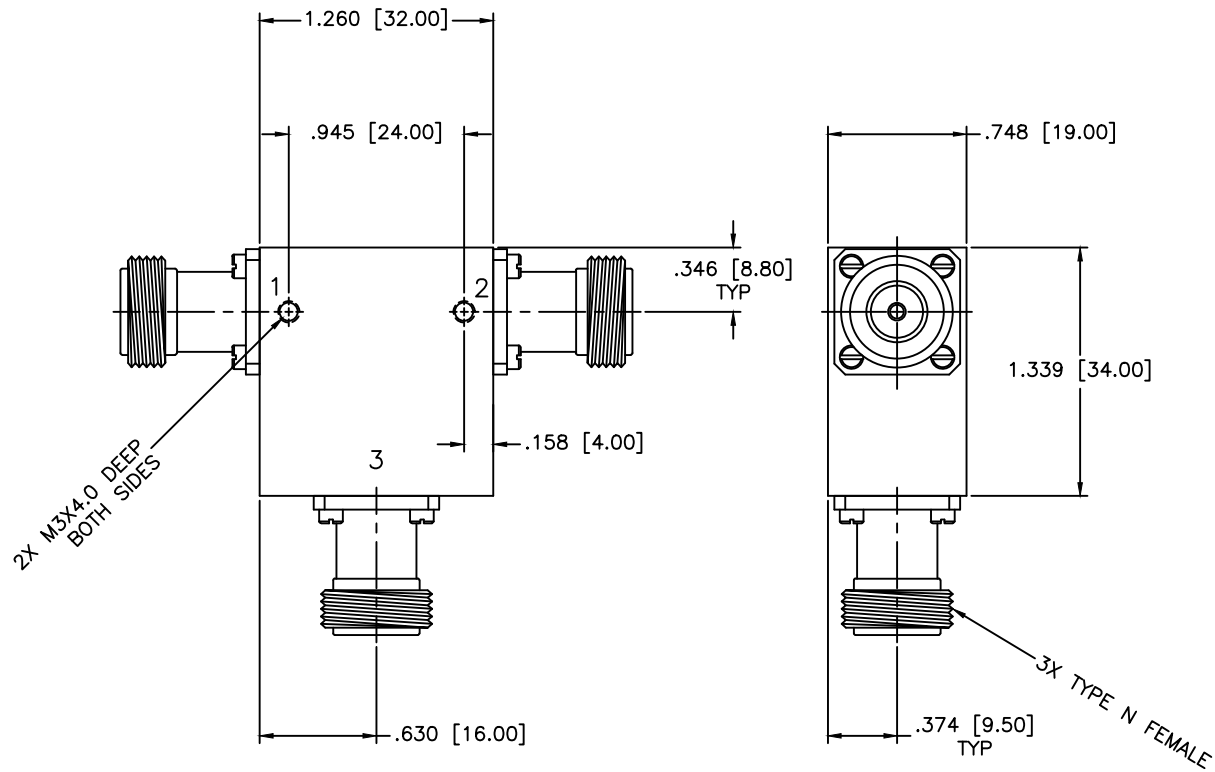


REVISIONS				
ZONE	REV	DESCRIPTION	DATE	APPROVED



**SPECIFICATIONS**

Frequency Range: 1.805–1.88 GHz  
 Isolation: 23dB Min.  
 Insertion loss: 0.30dB Max.  
 VSWR: 1.15:1 Max.  
 Operating Temperature: -54°C to +85°C  
 Power Handling: 150 Watts

MATERIAL:			MICROWAVE COMMUNICATIONS LABORATORIES INC. 7255 30TH AVE. N. SAINT PETERSBURG, FL 33710 TEL: (727) 344-6254 FAX: (727) 381-6116 http://WWW.MCLI.COM		SCALE:	N/A
			UNLESS OTHERWISE SPECIFIED: TOLERANCES IN (INCHES) OR [mm] (MILLIMETERS) FRACTIONS: ± 1/64 DECIMALS: ±.01 ±.005 ANGLE: ±1/2°	DRAWING TITLE:		SHEET:
		PROPRIETARY NOTICE: THE INFORMATION IN THIS DRAWING IS PROPRIETARY AND SHALL NOT BE USED OR DISCLOSED WITHOUT WRITTEN PERMISSION FROM MICROWAVE COMMUNICATIONS LABORATORIES INC. (MCLI)	PART NO.		COAXIAL CIRCULATOR	
DRAWN:		DATE:	CAGE CODE:		SIZE:	REV:
Paiboon		06-07-2005	OD2L5		A	N/A
APPROVED:		DATE:	DWG NO.		DO NOT SCALE THE DRAWING	
Peter Nguyen		10-27-2023	82352			

