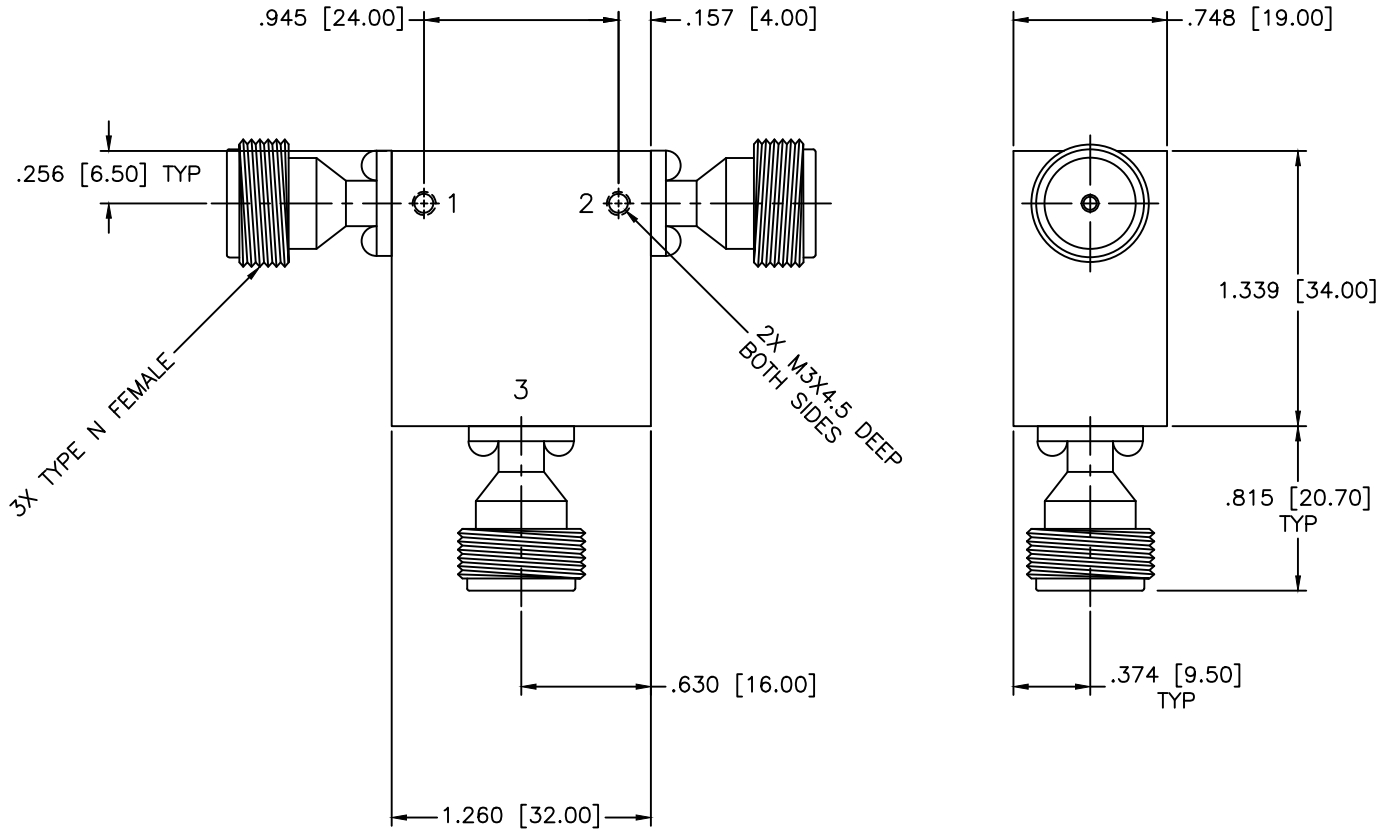


REVISIONS				
ZONE	REV	DESCRIPTION	Date	APPROVED



**SPECIFICATIONS**

Frequency Range: 1.2–1.4 GHz  
 Isolation: 20dB Min.  
 Insertion loss: 0.50dB Max.  
 VSWR: 1.25:1 Max.  
 Operating Temperature: 0°C to +50°C  
 Circulator Forward Power  
 Average Power: 40W  
 Peak Power: 1kW

MATERIAL:		<b>MCLI</b> MICROWAVE COMMUNICATIONS LABORATORIES INC. 7255 30TH AVE. N. SAINT PETERSBURG, FL 33710 TEL: (727) 344-6254 FAX: (727) 381-6116 <a href="http://WWW.MCLI.COM">http://WWW.MCLI.COM</a>	SCALE:	N/A
			SHEET:	N/A
UNLESS OTHERWISE SPECIFIED: TOLERANCES IN (INCHES) OR [mm] (MILLIMETERS) FRACTIONS: ± 1/64 DECIMALS: ±.01 ±.005 ANGLE: ±1/2°		DRAWING TITLE: <b>COAXIAL CIRCULATOR</b>		
DRAWN: Paiboon		PART NO.: CS-303/NF		
DATE: 12-16-2010		CAGE CODE: OD2L5		
APPROVED: Peter Nguyen		DATE: 10-27-2023		
THIRD ANGLE PROJECTION		SIZE: N/A		REV: N/A
		DO NOT SCALE THE DRAWING		DWG NO.: 85134