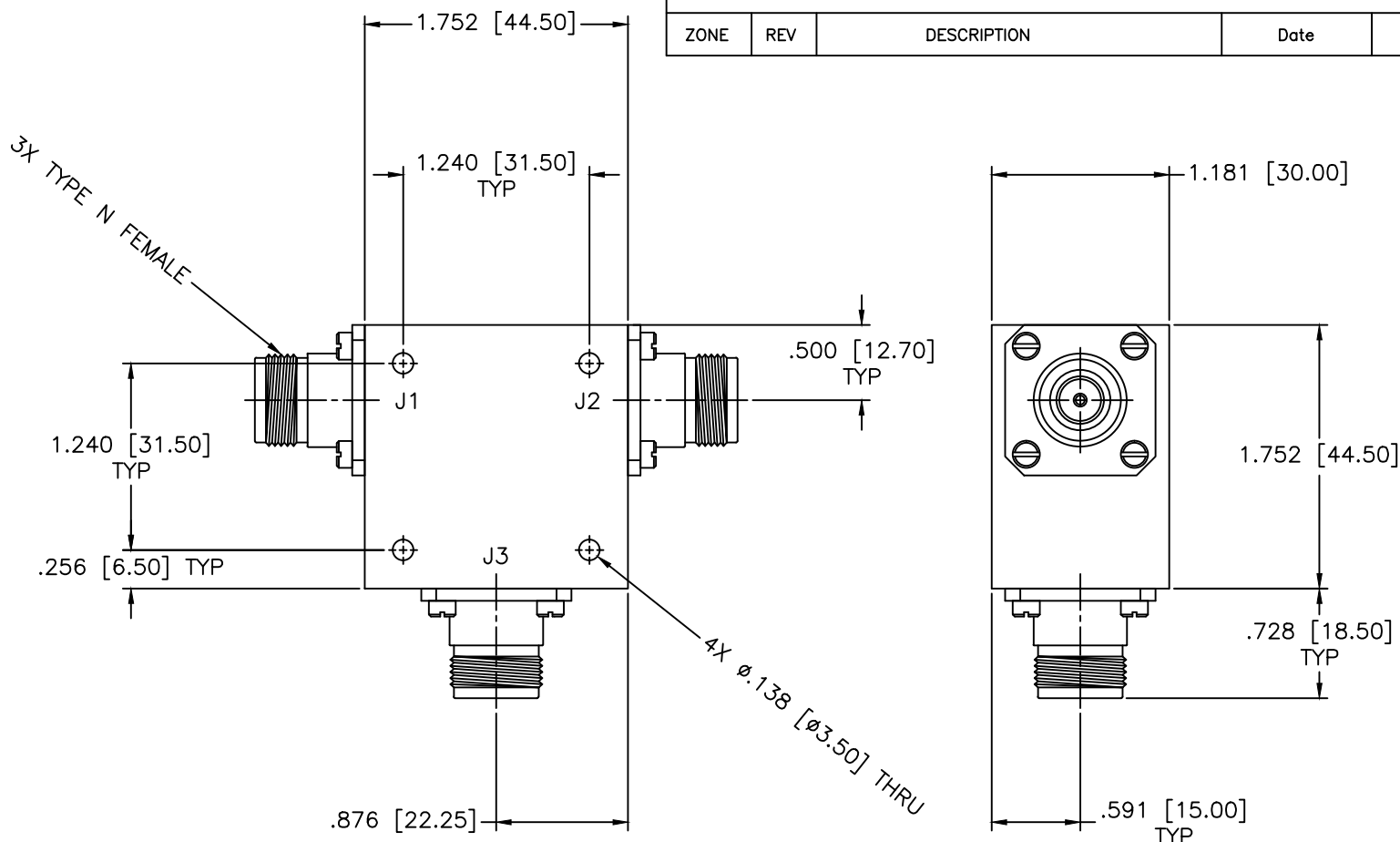


REVISIONS				
ZONE	REV	DESCRIPTION	Date	APPROVED

3X TYPE N FEMALE



SPECIFICATIONS

Frequency Range: 1.4–1.6 GHz
 Isolation: 20dB Min.
 Insertion loss: 0.30dB Max.
 VSWR: 1.25:1 Max.
 Average Power: 600W
 Room Temperature: +25±5°C
 Isolation: 22dB Min.
 Insertion loss: 0.25dB Max.
 VSWR: 1.18:1 Max.
 Peak Power: 4kW, (15% duty cycle)

MATERIAL:			MICROWAVE COMMUNICATIONS LABORATORIES INC. 7255 30TH AVE. N. SAINT PETERSBURG, FL 33710 TEL: (727) 344-6254 FAX: (727) 381-6116 http://www.MCLI.COM		SCALE: N/A
UNLESS OTHERWISE SPECIFIED: TOLERANCES IN (INCHES) OR [mm] (MILLIMETERS) FRACTIONS: ± 1/64 DECIMALS: ±.01 ±.005 ANGLE: ±1/2°			DRAWING TITLE: COAXIAL CIRCULATOR		SHEET: N/A
DRAWN: Paiboon		DATE: 03-06-2019		PART NO.: CS-210/NF	
APPROVED: T. Nguyen		DATE: 03-06-2019		CAGE CODE: OD2L5	SIZE: N/A
PROPRIETARY NOTICE: THE INFORMATION IN THIS DRAWING IS PROPRIETARY AND SHALL NOT BE USED OR DISCLOSED WITHOUT WRITTEN PERMISSION FROM MICROWAVE COMMUNICATIONS LABORATORIES INC. (MCLI) THIRD ANGLE PROJECTION				REV: N/A	DWG NO.: 87002
DO NOT SCALE THE DRAWING					