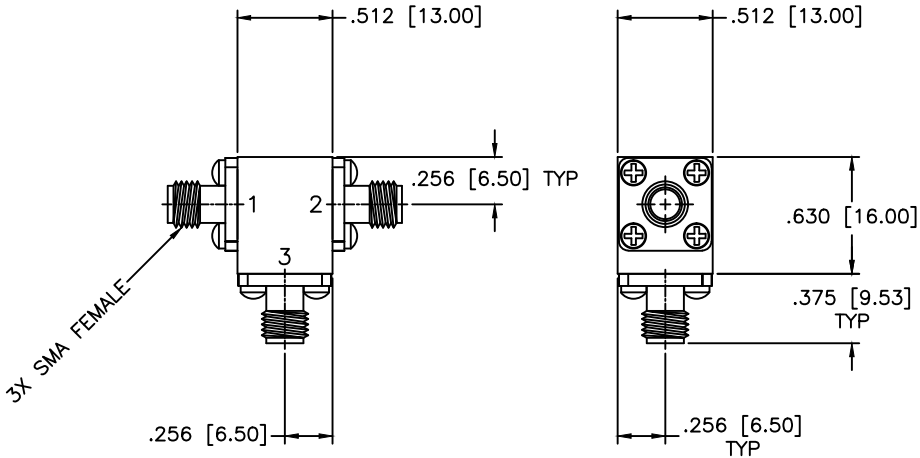


REVISIONS				
ZONE	REV	DESCRIPTION	Date	APPROVED



SPECIFICATIONS

Frequency Range: 5.1–5.3 GHz
 Isolation: 20dB Min.
 Insertion loss: 0.4dB Max.
 VSWR: 1.25:1 Max.
 Power: 10W Avg, 100W Peak.
 Operating Temperature: –30°C to +70°C

MATERIAL:		MCLI MICROWAVE COMMUNICATIONS LABORATORIES INC. 7255 30TH AVE. N. SAINT PETERSBURG, FL 33710 TEL: (727) 344-6254 FAX: (727) 381-6116 http://WWW.MCLI.COM	SCALE:	N/A
			SHEET:	N/A
UNLESS OTHERWISE SPECIFIED: TOLERANCES IN (INCHES) OR [mm] (MILLIMETERS) FRACTIONS: ± 1/64 DECIMALS: ±.01 ±.005 ANGLE: ±1/2°		DRAWING TITLE: COAXIAL CIRCULATOR		
DRAWN: Paiboon Luekhamhan		PART NO. CS-197		
DATE: 11-22-2013		CAGE CODE:		
APPROVED: T. Nguyen		DATE: 11-22-2013		DWG NO. 86442
THIRD ANGLE PROJECTION		OD2L5	SIZE: A	REV: N/A
		DO NOT SCALE THE DRAWING		