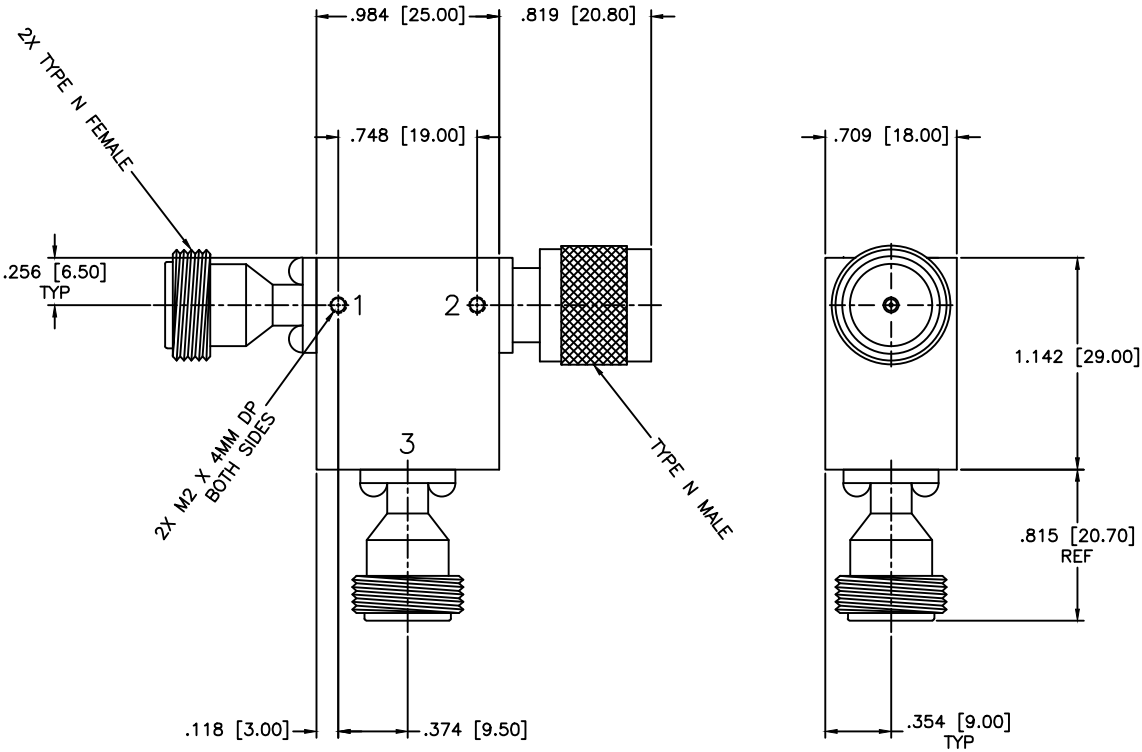


REVISIONS				
ZONE	REV	DESCRIPTION	Date	APPROVED



SPECIFICATIONS

Frequency Range: 3.4–4.2 GHz
 Isolation: 22dB Min.
 Insertion loss: 0.5dB Max.
 VSWR: 1.18:1 Max.
 Operating Temperature: 0°C to +85°C

MATERIAL:		MCLI MICROWAVE COMMUNICATIONS LABORATORIES INC. 7255 30TH AVE. N. SAINT PETERSBURG, FL 33710 TEL: (727) 344-6254 FAX: (727) 381-6116 http://WWW.MCLI.COM	SCALE:	N/A
			SHEET:	N/A
UNLESS OTHERWISE SPECIFIED: TOLERANCES IN (INCHES) OR [mm] (MILLIMETERS) FRACTIONS: ± 1/64 DECIMALS: ±.01 ±.005 ANGLE: ±1/2°		DRAWING TITLE: COAXIAL CIRCULATOR		
DRAWN: Paiboon Luekhamhan		PART NO.: CS-189/NMO		
DATE: 11-22-2013		CAGE CODE:		
APPROVED: T. Nguyen		SIZE: N/A		
DATE: 11-22-2013		REV: N/A		
THIRD ANGLE PROJECTION		DWG NO.: 86432		
		OD2L5 DO NOT SCALE THE DRAWING		