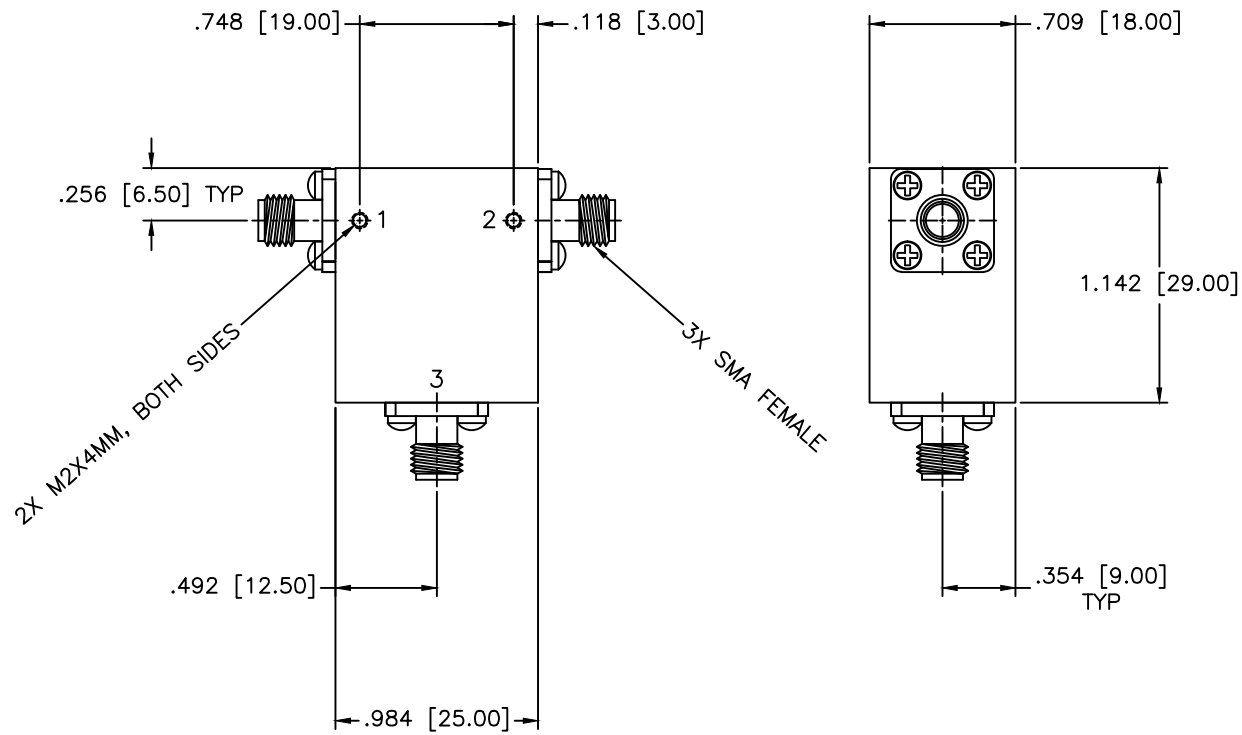


REVISIONS				
ZONE	REV	DESCRIPTION	Date	APPROVED



SPECIFICATIONS

Frequency Range: 3.7–8.2 GHz
 Isolation: 20dB Min.
 Insertion loss: 0.70dB Max.
 VSWR: 1.40:1 Max.
 Power Avg: 50 Watts
 Power Peak: 250 Watts
 Storage Temperature: –30°C to +70°C

MATERIAL:		MCLI MICROWAVE COMMUNICATIONS LABORATORIES INC. 7255 30TH AVE. N. SAINT PETERSBURG, FL 33710 TEL: (727) 344-6254 FAX: (727) 381-6116 http://WWW.MCLI.COM	SCALE: N/A
			SHEET: N/A
UNLESS OTHERWISE SPECIFIED: TOLERANCES IN (INCHES) OR [mm] (MILLIMETERS) FRACTIONS: ± 1/64 DECIMALS: ±.01 ±.005 ANGLE: ±1/2°		DRAWING TITLE: COAXIAL CIRCULATOR	
DRAWN: Paiboon Luekhamhan		PART NO.: CS-18-50	
DATE: 05-19-2010		CAGE CODE: OD2L5	
APPROVED: T. Nguyen		SIZE: N/A	REV: N/A
DATE: 05-19-2010		DWG NO.: 84831	
THIRD ANGLE PROJECTION		DO NOT SCALE THE DRAWING	