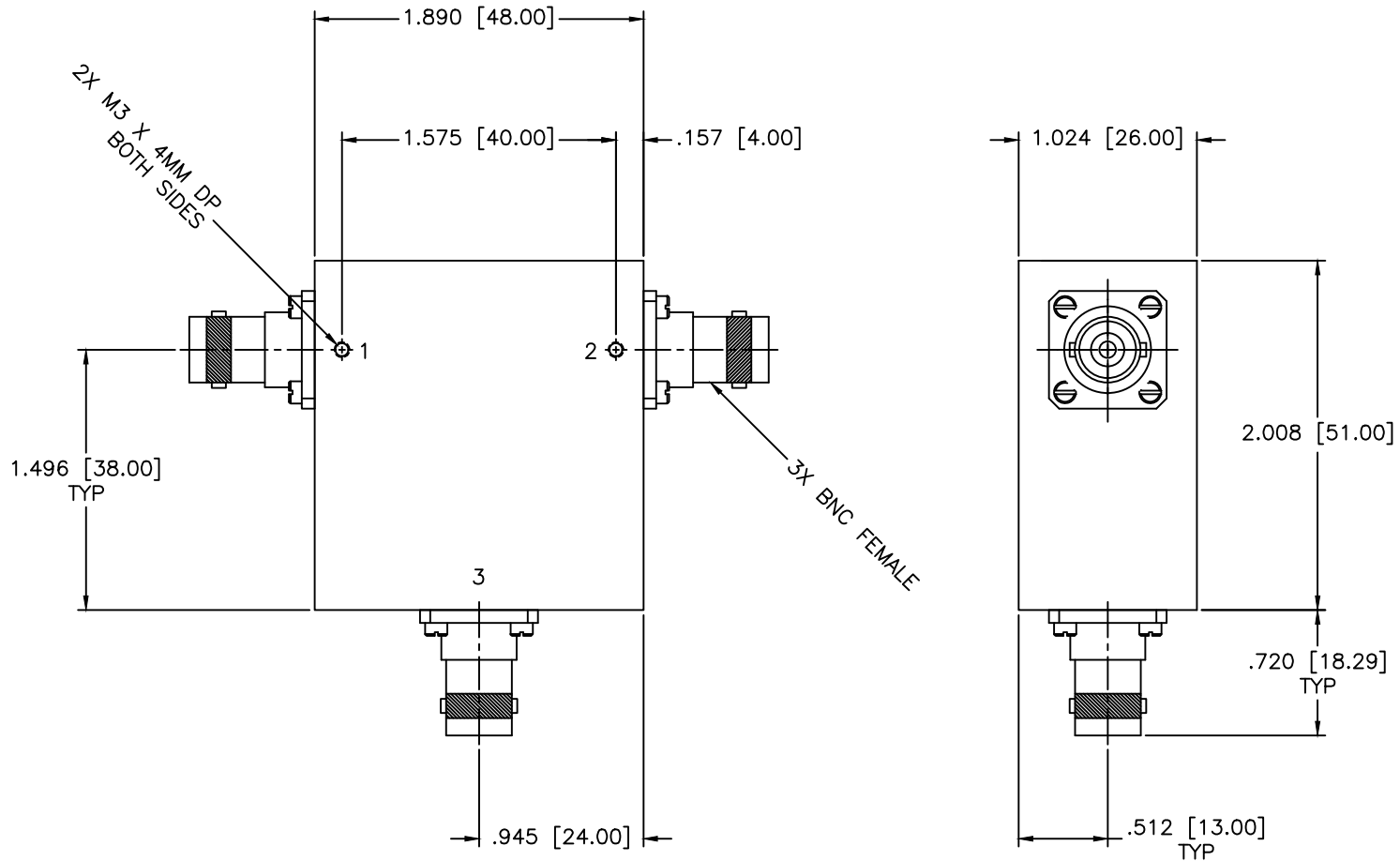


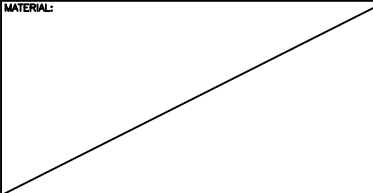



REVISIONS				
ZONE	REV	DESCRIPTION	Date	APPROVED



SPECIFICATIONS

Frequency Range: 400–520 MHz
 Isolation: 17dB Min.
 Insertion loss: 0.80dB Max.
 VSWR: 1.38:1 Max.
 Operating Temperature: 0°C to +50°C
 Power: 100W Avg, 500W Peak

MATERIAL:	
	
DRAWN:	DATE:
Paiboon Luexhamhan	10-06-2011
APPROVED:	DATE:
T. Nguyen	10-06-2011

	MICROWAVE COMMUNICATIONS LABORATORIES INC. 7255 30TH AVE. N. SAINT PETERSBURG, FL 33710 TEL: (727) 344-6254 FAX: (727) 381-6116 http://www.MCLI.COM		SCALE:	N/A
	UNLESS OTHERWISE SPECIFIED: TOLERANCES IN (INCHES) OR [mm] (MILLIMETERS) FRACTIONS: ± 1/64 DECIMALS: ±.01 ±.005 ANGLE: ±1/2°		SHEET:	N/A
DRAWING TITLE:		COAXIAL CIRCULATOR		
PART NO.:		CS-166/BF		
CAGE CODE:	SIZE:	REV:	DWG NO.:	
OD2L5	A	N/A	85907	
DO NOT SCALE THE DRAWING				

