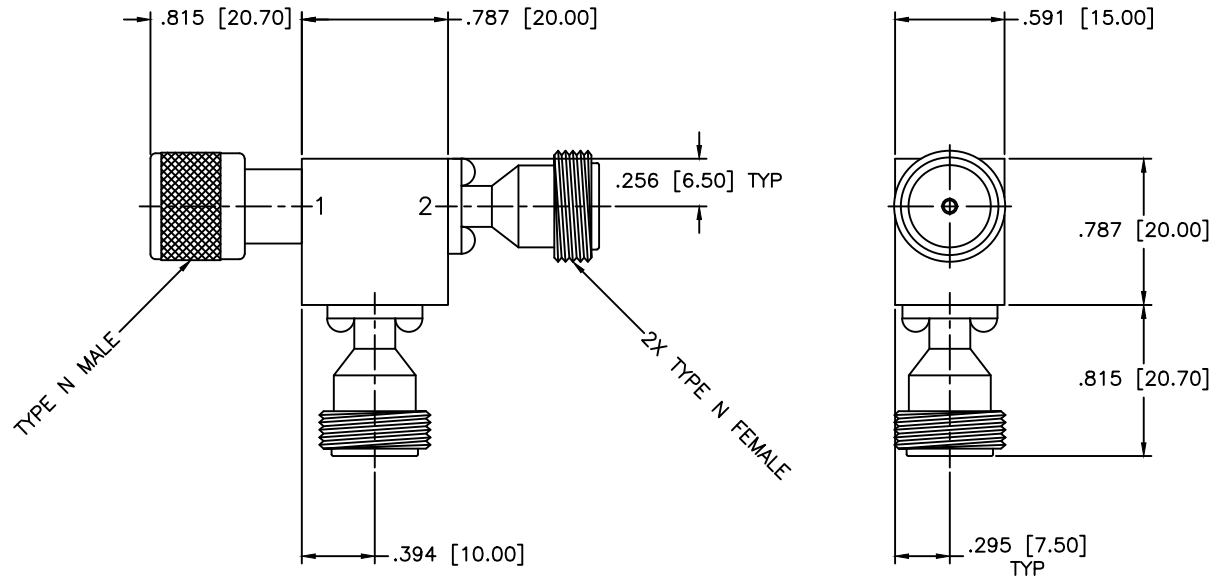


REVISIONS				
ZONE	REV	DESCRIPTION	Date	APPROVED



**SPECIFICATIONS**

Frequency Range: 5.2–5.8 GHz  
 Isolation: 23dB Min.  
 Insertion loss: 0.3dB Max.  
 VSWR: 1.15:1 Max.  
 Operating Temperature: –15°C to +71°C

MATERIAL:		<b>MCLI</b> MICROWAVE COMMUNICATIONS LABORATORIES INC. 7255 30TH AVE. N. SAINT PETERSBURG, FL 33710 TEL: (727) 344-6254 FAX: (727) 381-6116 <a href="http://WWW.MCLI.COM">http://WWW.MCLI.COM</a>	SCALE:	N/A		
			SHEET:	N/A		
		UNLESS OTHERWISE SPECIFIED: TOLERANCES IN (INCHES) OR [mm] (MILLIMETERS) FRACTIONS: ± 1/64 DECIMALS: ±.01 ±.005 ANGLE: ±1/2°	DRAWING TITLE: <b>COAXIAL CIRCULATOR</b>			
		PROPERTY NOTICE: THE INFORMATION IN THIS DRAWING IS PROPRIETARY AND SHALL NOT BE USED OR DISCLOSED WITHOUT WRITTEN PERMISSION FROM MICROWAVE COMMUNICATIONS LABORATORIES INC. (MCLI)	PART NO. <b>CS-161/NMI</b>			
DRAWN: Paiboon Luekhamhan	DATE: 08-23-2012	THIRD ANGLE PROJECTION	CAGE CODE:	OD2L5		
APPROVED: T. Nguyen	DATE: 08-23-2012		SIZE:	N/A	REV:	N/A
			DO NOT SCALE THE DRAWING			