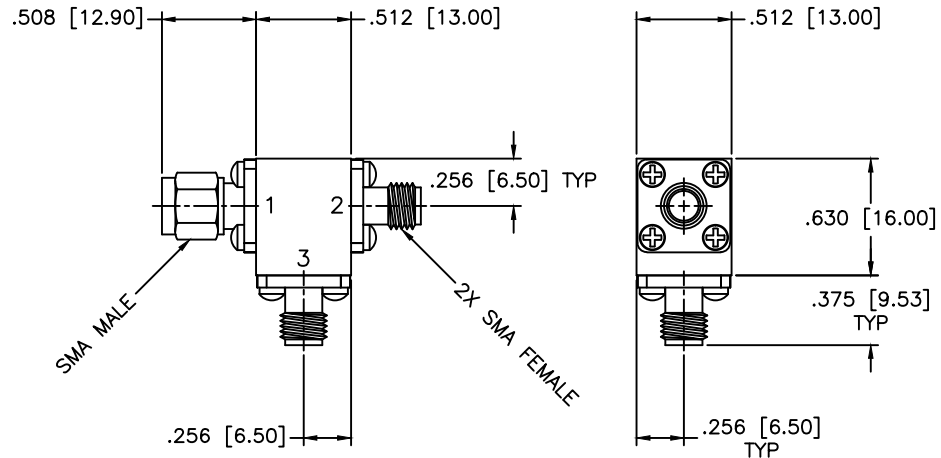


REVISIONS				
ZONE	REV	DESCRIPTION	DATE	APPROVED



SPECIFICATIONS

Frequency Range: 14.5–15.5 GHz
 Isolation: 20dB Min.
 Insertion loss: 0.5dB Max.
 VSWR: 1.25:1 Max.
 Operating Temperature: -54°C to +85°C
 Power: 1W Avg.

MATERIAL:		MICROWAVE COMMUNICATIONS LABORATORIES INC. 7255 30TH AVE. N. SAINT PETERSBURG, FL 33710 TEL: (727) 344-6254 FAX: (727) 381-6116 http://WWW.MCLI.COM	SCALE:	N/A
			SHEET:	N/A
DRAWN: Paboon Luekhamhan		DATE: 08-16-2011	DRAWING TITLE: COAXIAL CIRCULATOR	
APPROVED: T. Nguyen		DATE: 08-16-2011	PART NO. CS-149/SMI	
PROPRIETARY NOTICE: THE INFORMATION IN THIS DRAWING IS PROPRIETARY AND SHALL NOT BE USED OR DISCLOSED WITHOUT WRITTEN PERMISSION FROM MICROWAVE COMMUNICATIONS LABORATORIES INC. (MCLI)		CAGE CODE: OD2L5	SIZE: A	REV: N/A
THIRD ANGLE PROJECTION 		DO NOT SCALE THE DRAWING		DWG NO. 85829