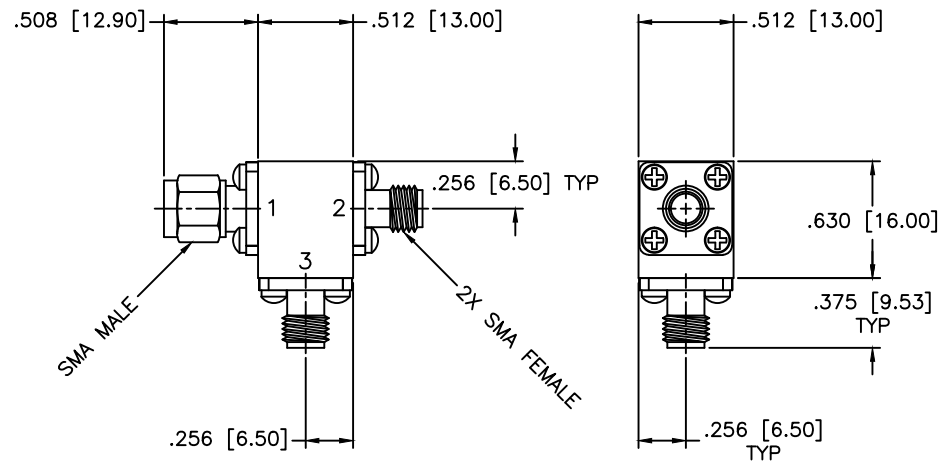


REVISIONS				
ZONE	REV	DESCRIPTION	DATE	APPROVED



**SPECIFICATIONS**

Frequency Range: 9–10 GHz  
 Isolation: 20dB Min.  
 Insertion loss: 0.5dB Max.  
 VSWR: 1.25:1 Max.  
 Operating Temperature: -54°C to +85°C  
 Power: 1W Avg.

MATERIAL:		MICROWAVE COMMUNICATIONS LABORATORIES INC. 7255 30TH AVE. N. SAINT PETERSBURG, FL 33710 TEL: (727) 344-6254 FAX: (727) 381-6116 http://WWW.MCLI.COM	SCALE:	N/A
UNLESS OTHERWISE SPECIFIED: TOLERANCES IN (INCHES) OR [mm] (MILLIMETERS) FRACTIONS: ± 1/64 DECIMALS: ±.02 ±.010 ANGLE: ±1/2°			DRAWING TITLE:	COAXIAL CIRCULATOR
DRAWN: Paiboon Luekhamhan		PART NO. CS-148/SMI		
DATE: 08-16-2011		CAGE CODE: OD2L5		
APPROVED: T. Nguyen		DATE: 08-16-2011		
PROPRIETARY NOTICE: THE INFORMATION IN THIS DRAWING IS PROPRIETARY AND SHALL NOT BE USED OR DISCLOSED WITHOUT WRITTEN PERMISSION FROM MICROWAVE COMMUNICATIONS LABORATORIES INC. (MCLI)		SIZE: A	REV: N/A	DWG NO. 85828
THIRD ANGLE PROJECTION 		DO NOT SCALE THE DRAWING		