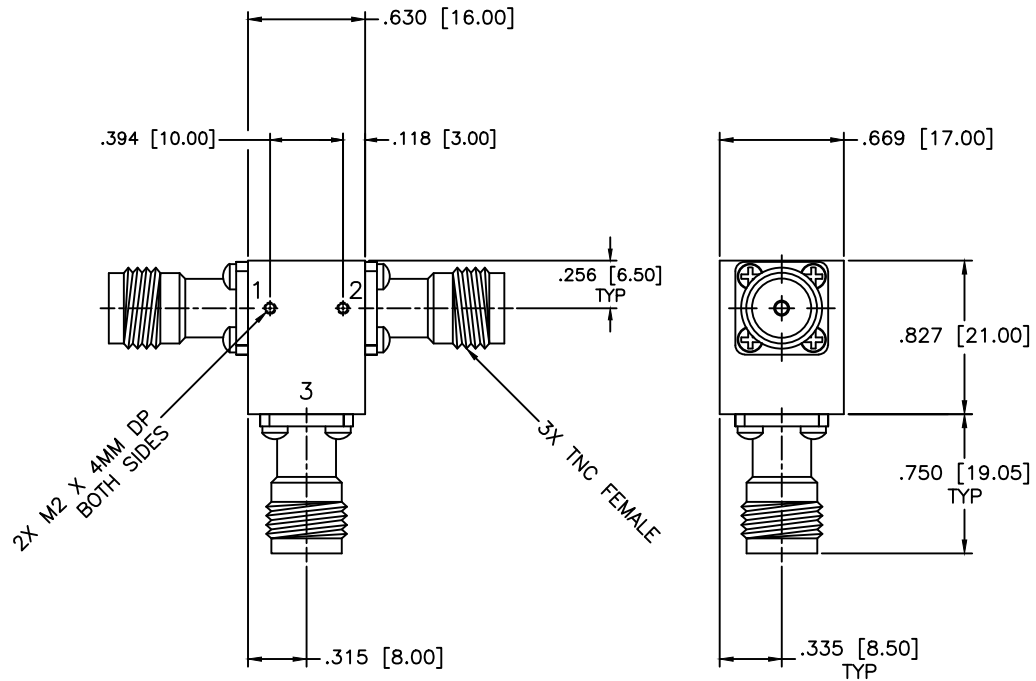


REVISIONS				
ZONE	REV	DESCRIPTION	Date	APPROVED



SPECIFICATIONS

Frequency Range: 10–14 GHz
 Isolation: 20dB Min.
 Insertion loss: 0.45dB Max.
 VSWR: 1.25:1 Max.
 Operating Temperature: –54°C to +85°C
 Power: 50 Watts

MATERIAL:		MCLI MICROWAVE COMMUNICATIONS LABORATORIES INC. 7255 30TH AVE. N. SAINT PETERSBURG, FL 33710 TEL: (727) 344-6254 FAX: (727) 381-6116 http://WWW.MCLI.COM	SCALE:	N/A
			SHEET:	N/A
		UNLESS OTHERWISE SPECIFIED: TOLERANCES IN (INCHES) OR (mm) (MILLIMETERS) FRACTIONS: ± 1/64 DECIMALS: ±.01 ±.005 ANGLE: ±1/2°	DRAWING TITLE: COAXIAL CIRCULATOR	
		PROPERTY NOTICE: THE INFORMATION IN THIS DRAWING IS PROPRIETARY AND SHALL NOT BE USED OR DISCLOSED WITHOUT WRITTEN PERMISSION FROM MICROWAVE COMMUNICATIONS LABORATORIES INC. (MCLI)	PART NO. CS-132/TF	
DRAWN: Paiboon Luekhamhan	DATE: 10-21-2010	THIRD ANGLE PROJECTION	CAGE CODE:	OD2L5
APPROVED: T. Nguyen	DATE: 10-21-2010		SIZE:	A
			REV:	N/A
			DWG NO.	85086
DO NOT SCALE THE DRAWING				