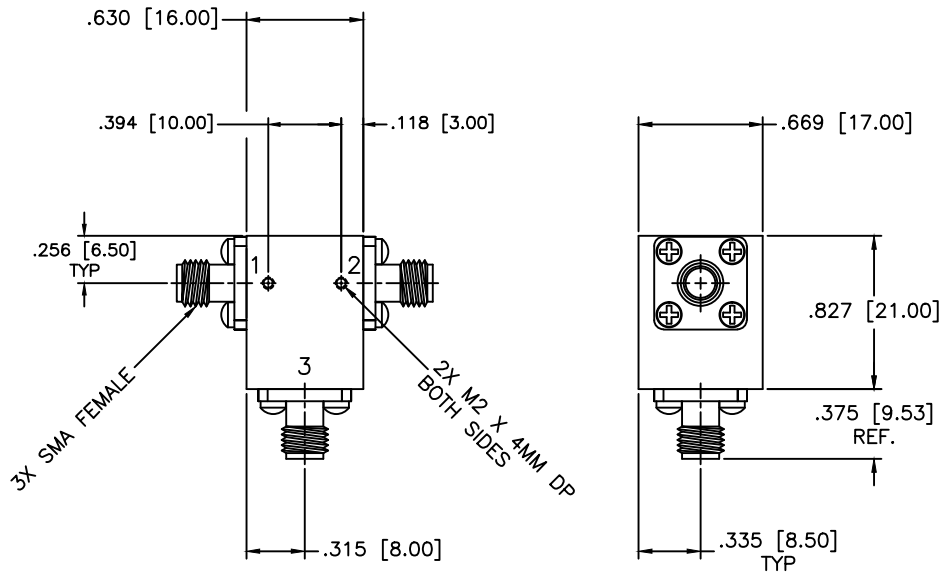


REVISIONS				
ZONE	REV	DESCRIPTION	Date	APPROVED



**SPECIFICATIONS**

Frequency Range: 10–14 GHz  
 Isolation: 23dB Min.  
 Insertion loss: 0.35dB Max.  
 VSWR: 1.15:1 Max.  
 Operating Temperature: -54°C to +85°C  
 Power: 50 Watts

MATERIAL:		<b>MCLI</b> MICROWAVE COMMUNICATIONS LABORATORIES INC. 7255 30TH AVE. N. SAINT PETERSBURG, FL 33710 TEL: (727) 344-6254 FAX: (727) 381-6116 <a href="http://WWW.MCLI.COM">http://WWW.MCLI.COM</a>	SCALE:	N/A
			SHEET:	N/A
		UNLESS OTHERWISE SPECIFIED: TOLERANCES IN (INCHES) OR (mm) (MILLIMETERS) FRACTIONS: ± 1/64 DECIMALS: ±.01 ±.005 ANGLE: ±1/2°	DRAWING TITLE: <b>COAXIAL CIRCULATOR</b>	
DRAWN: Paiboon Luekhamhan		DATE: 10-21-2010	PART NO. <b>CS-132</b>	
APPROVED: T. Nguyen		DATE: 10-21-2010	CAGE CODE: OD2L5	SIZE: A REV: N/A DWG NO. 85084
		PROPRIETARY NOTICE: THE INFORMATION IN THIS DRAWING IS PROPRIETARY AND SHALL NOT BE USED OR DISCLOSED WITHOUT WRITTEN PERMISSION FROM MICROWAVE COMMUNICATIONS LABORATORIES INC. (MCLI)	DO NOT SCALE THE DRAWING	
		THIRD ANGLE PROJECTION 		