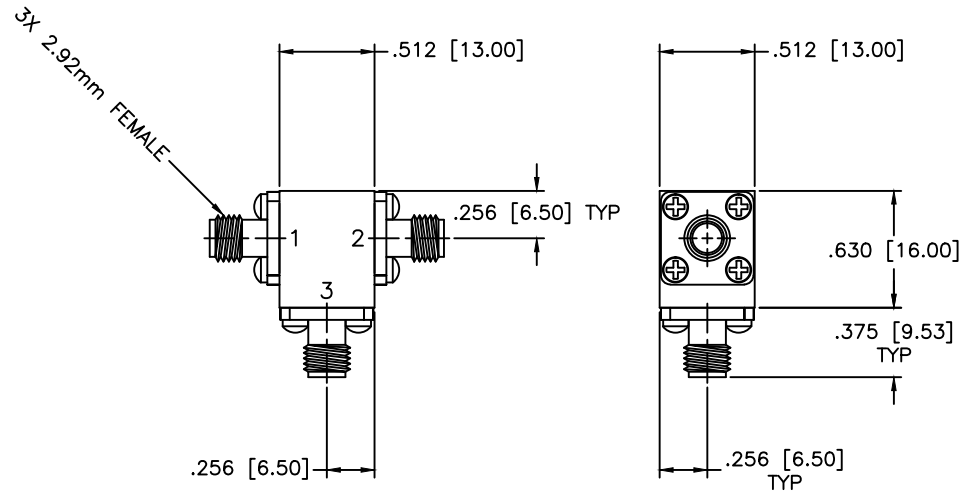


REVISIONS				
ZONE	REV	DESCRIPTION	Date	APPROVED



SPECIFICATIONS

Frequency Range: 21–25.5 GHz
 Isolation: 20dB Min.
 Insertion loss: 0.5dB Max.
 VSWR: 1.25:1 Max.
 Circulator Power: 25W Avg.
 Operating Temperature: –54°C to +85°C

MATERIAL:		MCLI MICROWAVE COMMUNICATIONS LABORATORIES INC. 7255 30TH AVE. N. SAINT PETERSBURG, FL 33710 TEL: (727) 344-6254 FAX: (727) 381-6116 http://www.mcli.com	SCALE:	N/A
			SHEET:	N/A
UNLESS OTHERWISE SPECIFIED: TOLERANCES IN (INCHES) OR [mm] (MILLIMETERS) FRACTIONS: ± 1/64 DECIMALS: ±.01 ±.005 ANGLE: ±1/2°		DRAWING TITLE: COAXIAL CIRCULATOR		
DRAWN: Paiboon Luekhamhan		PART NO.: CS-118		
DATE: 03-01-2010		CAGE CODE: OD2L5		
APPROVED: T. Nguyen		DATE: 03-01-2010		
THIRD ANGLE PROJECTION		SIZE: A		
		REV: N/A		
		DWG NO.: 84728		
DO NOT SCALE THE DRAWING				