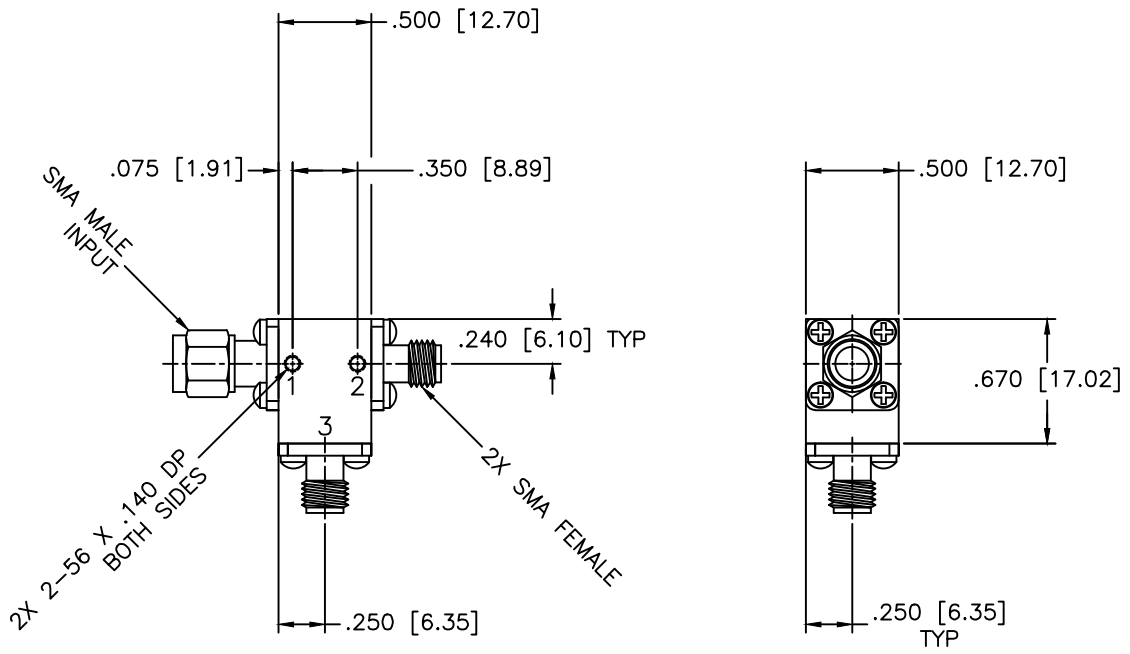


REVISIONS				
ZONE	REV	DESCRIPTION	DATE	APPROVED



**SPECIFICATIONS**

Frequency Range: 10.7–11.7 GHz  
 Isolation: 20dB Min.  
 Insertion loss: 0.30dB Max.  
 VSWR: 1.22:1 Max.  
 Operating Temperature: -10°C to +70°C

MATERIAL:		MICROWAVE COMMUNICATIONS LABORATORIES INC. 7255 30TH AVE. N. SAINT PETERSBURG, FL 33710 TEL: (727) 344-6254 FAX: (727) 381-6116 http://WWW.MCLI.COM	SCALE:	N/A
			SHEET:	N/A
UNLESS OTHERWISE SPECIFIED: TOLERANCES IN (INCHES) OR [mm] (MILLIMETERS) FRACTIONS: ± 1/64 DECIMALS: ±.02 ±.010 ANGLE: ±1/2°		DRAWING TITLE: COAXIAL CIRCULATOR		
DRAWN: Paiboon Luekhamhan		PART NO. CS-1011-01		
DATE: 05-18-2010		CAGE CODE: OD2L5		
APPROVED: T. Nguyen		DATE: 05-18-2010		
PROPRIETARY NOTICE: THE INFORMATION IN THIS DRAWING IS PROPRIETARY AND SHALL NOT BE USED OR DISCLOSED WITHOUT WRITTEN PERMISSION FROM MICROWAVE COMMUNICATIONS LABORATORIES INC. (MCLI)		SIZE: A	REV: A	DWG NO. 84811
THIRD ANGLE PROJECTION 		DO NOT SCALE THE DRAWING		