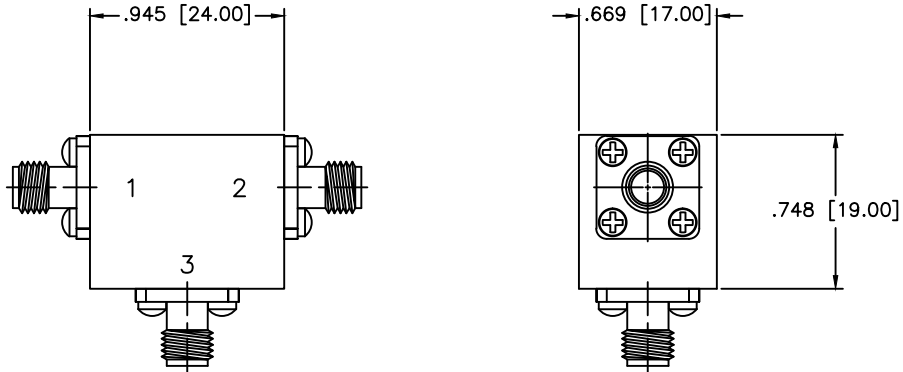


REVISIONS				
ZONE	REV	DESCRIPTION	Date	APPROVED



SPECIFICATIONS AT +25+5°C

Frequency Range: 7.0–8.2 GHz

Isolation: 25dB Min.

Insertion loss: 0.30dB Max.

VSWR: 1.12:1 Max.

Operating Temperature –10°C to +60°C

Isolation: 23dB Min.

Insertion loss: 0.40dB Max.

VSWR: 1.15:1 Max.

MATERIAL:			MICROWAVE COMMUNICATIONS LABORATORIES INC. 7255 30TH AVE. N. SAINT PETERSBURG, FL 33710 TEL: (727) 344-6254 FAX: (727) 381-6116 http://www.MCLI.COM		SCALE: N/A
UNLESS OTHERWISE SPECIFIED: TOLERANCES IN (INCHES) OR [mm] (MILLIMETERS) FRACTIONS: ± 1/64 DECIMALS: ±.01 ±.005 ANGLE: ±1/2°			DRAWING TITLE: COAXIAL CIRCULATOR		
DRAWN: Paiboon Luexhamhan		DATE: 01-18-2017		SHEET: N/A	
APPROVED: Paiboon Luexhamhan		DATE: 01-18-2017		PART NO. CS-01-C	
PROPRIETARY NOTICE: THE INFORMATION IN THIS DRAWING IS PROPRIETARY AND SHALL NOT BE USED OR DISCLOSED WITHOUT WRITTEN PERMISSION FROM MICROWAVE COMMUNICATIONS LABORATORIES INC. (MCLI)		THIRD ANGLE PROJECTION 		CAGE CODE: OD2L5	DWG NO. XXXXX
		SIZE: N/A	REV: N/A	DO NOT SCALE THE DRAWING	