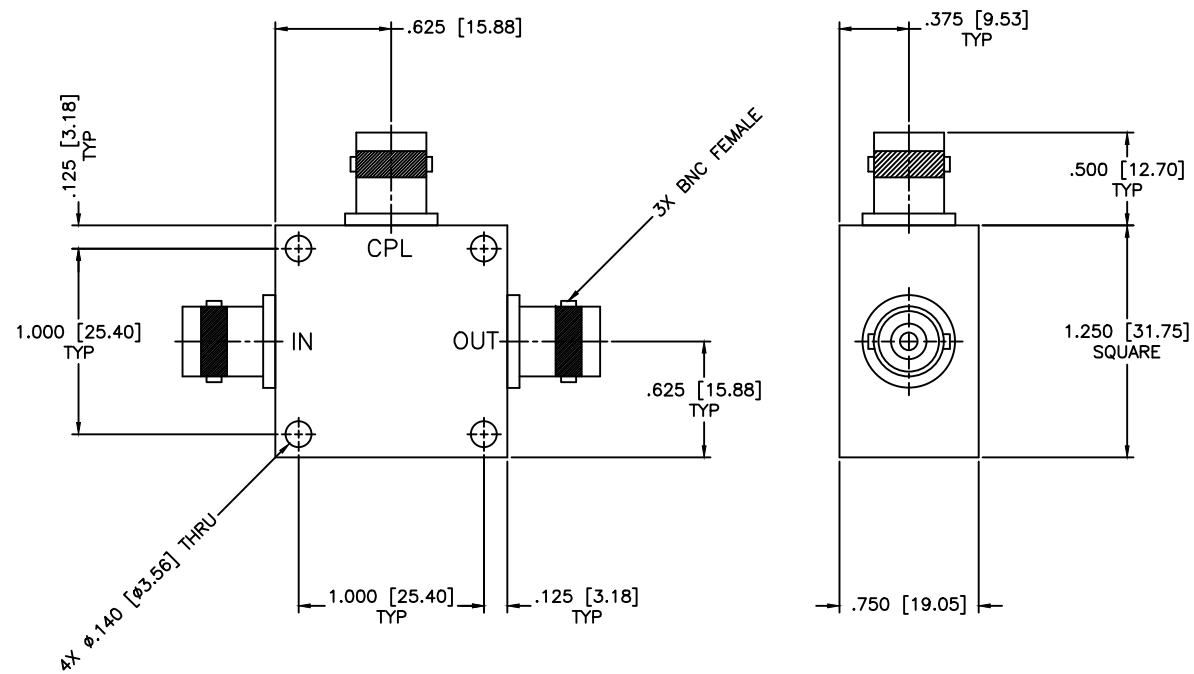


REVISIONS				
ZONE	REV	DESCRIPTION	DATE	APPROVED



**SPECIFICATIONS**

FREQUENCY RANGE: 50–90 MHz  
 COUPLING: 10±0.5dB  
 INSERTION LOSS: 0.8dB Max.  
 VSWR: 1.30:1 Max.  
 FLATNESS: ±0.25dB  
 DIRECTIVITY: 30dB Min.  
 IMPEDANCE: 75 OHMS  
 OPERATING TEMPERATURE: -55°C to +85°C

MATERIAL:		MICROWAVE COMMUNICATIONS LABORATORIES INC. 7255 30TH AVE. N. SAINT PETERSBURG, FL 33710 TEL: (727) 344-6254 FAX: (727) 381-6116 http://WWW.MCLI.COM	SCALE:	N/A
			SHEET:	N/A
		UNLESS OTHERWISE SPECIFIED: TOLERANCES IN (INCHES) OR [mm] (MILLIMETERS) FRACTIONS: ± 1/64 DECIMALS: ±.01 ±.005 ANGLE: ±1/2°	DRAWING TITLE: <b>DIRECTIONAL COUPLER</b>	
		PROPRIETARY NOTICE: THE INFORMATION IN THIS DRAWING IS PROPRIETARY AND SHALL NOT BE USED OR DISCLOSED WITHOUT WRITTEN PERMISSION FROM MICROWAVE COMMUNICATIONS LABORATORIES INC. (MCLI)	PART NO. <b>CL8-10/BF/75</b>	
DRAWN: Paiboon Luekhamhan	DATE: 05-03-1998	THIRD ANGLE PROJECTION 	CAGE CODE:	DO NOT SCALE THE DRAWING
APPROVED: T. Nguyen	DATE: 05-03-1998		OD2L5	SIZE: A REV: N/A DWG NO. 81842