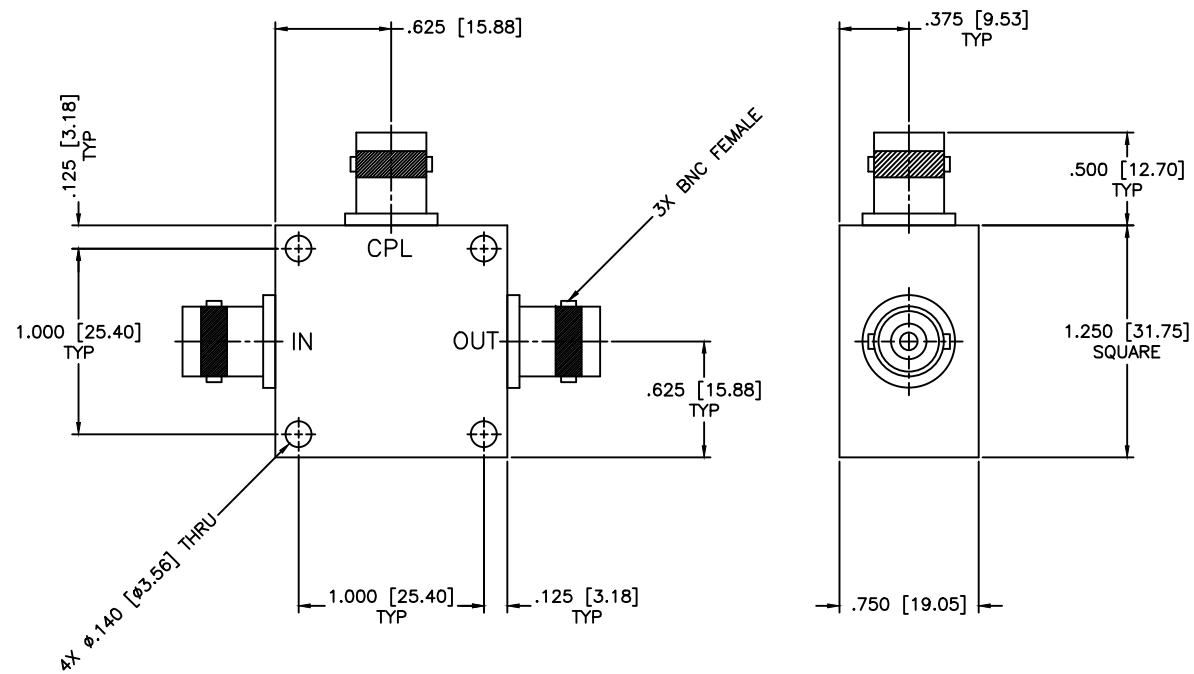


REVISIONS				
ZONE	REV	DESCRIPTION	DATE	APPROVED



SPECIFICATIONS

Frequency Range: 50–90 MHz
 Coupling: 10±0.5dB
 Insertion Loss: 0.8dB Max.
 Flatness: ±0.25dB
 Directivity: 30dB Min.
 VSWR: 1.30:1 Typ.
 Input Power: 1 Watt

MATERIAL:			MICROWAVE COMMUNICATIONS LABORATORIES INC. 7255 30TH AVE. N. SAINT PETERSBURG, FL 33710 TEL: (727) 344-6254 FAX: (727) 381-6116 http://WWW.MCLI.COM		SCALE: N/A
UNLESS OTHERWISE SPECIFIED: TOLERANCES IN (INCHES) OR [mm] (MILLIMETERS) FRACTIONS: ± 1/64 DECIMALS: ±.01 ±.005 ANGLE: ±1/2°			DRAWING TITLE: DIRECTIONAL COUPLER		SHEET: N/A
DRAWN: Paiboon Luekhamhan		DATE: 05-03-1998		PART NO. CL8-10/BF	
APPROVED: T. Nguyen		DATE: 05-03-1998		CAGE CODE: OD2L5	SIZE: A REV: N/A DWG NO. 81035
PROPRIETARY NOTICE: THE INFORMATION IN THIS DRAWING IS PROPRIETARY AND SHALL NOT BE USED OR DISCLOSED WITHOUT WRITTEN PERMISSION FROM MICROWAVE COMMUNICATIONS LABORATORIES INC. (MCLI)		THIRD ANGLE PROJECTION 		DO NOT SCALE THE DRAWING	