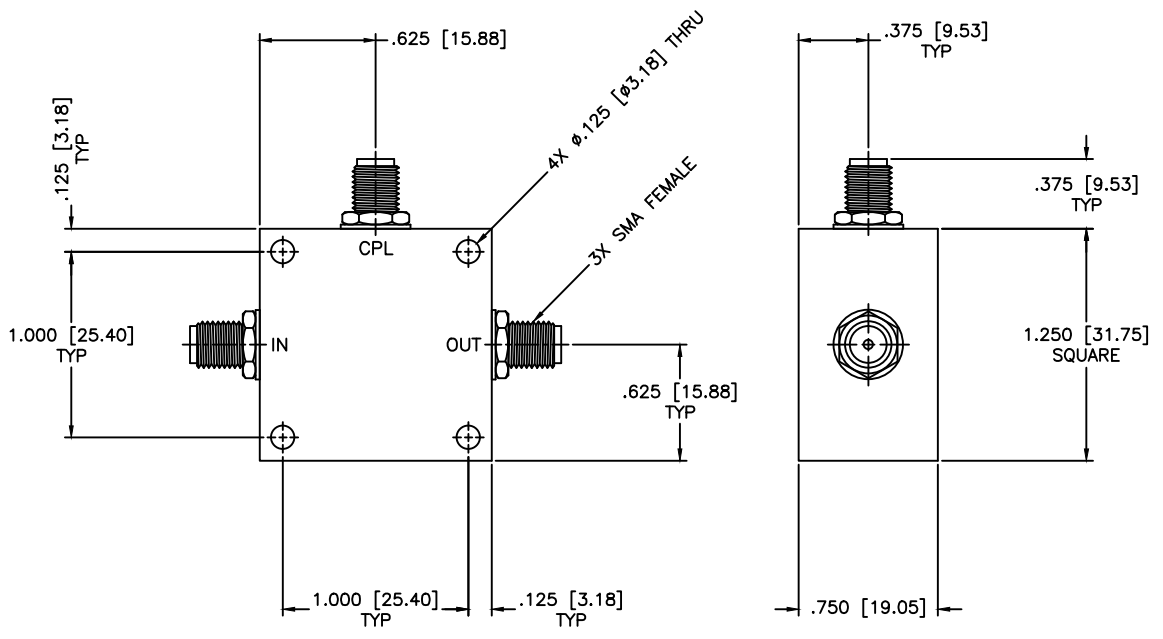


REVISIONS				
ZONE	REV	DESCRIPTION	DATE	APPROVED



SPECIFICATIONS

- Frequency Range: 1–2000 MHz
- Coupling: 10±1.0dB
- Insertion Loss: 2.7dB Max.
- Flatness: ±1.0dB
- Directivity: 18dB Min.
- VSWR: 1.60:1 Max.
- Operating Temperature: -55°C to +85°C

MATERIAL:	
DRAWN: Paiboon Luekhamhan	DATE: 10-04-1999
APPROVED: T. Nguyen	DATE: 10-04-1999

	MICROWAVE COMMUNICATIONS LABORATORIES INC. 7255 30TH AVE. N. SAINT PETERSBURG, FL 33710 TEL: (727) 344-6254 FAX: (727) 381-6116 http://WWW.MCLI.COM		SCALE: N/A
	UNLESS OTHERWISE SPECIFIED: TOLERANCES IN (INCHES) OR [mm] (MILLIMETERS) FRACTIONS: ± 1/64 DECIMALS: ±.01 ±.005 ANGLE: ±1/2°		SHEET: N/A
DRAWING TITLE: DIRECTIONAL COUPLER		PART NO. CL6-10	
CAGE CODE: OD2L5	SIZE: A	REV: N/A	DWG NO. 81430
DO NOT SCALE THE DRAWING			

