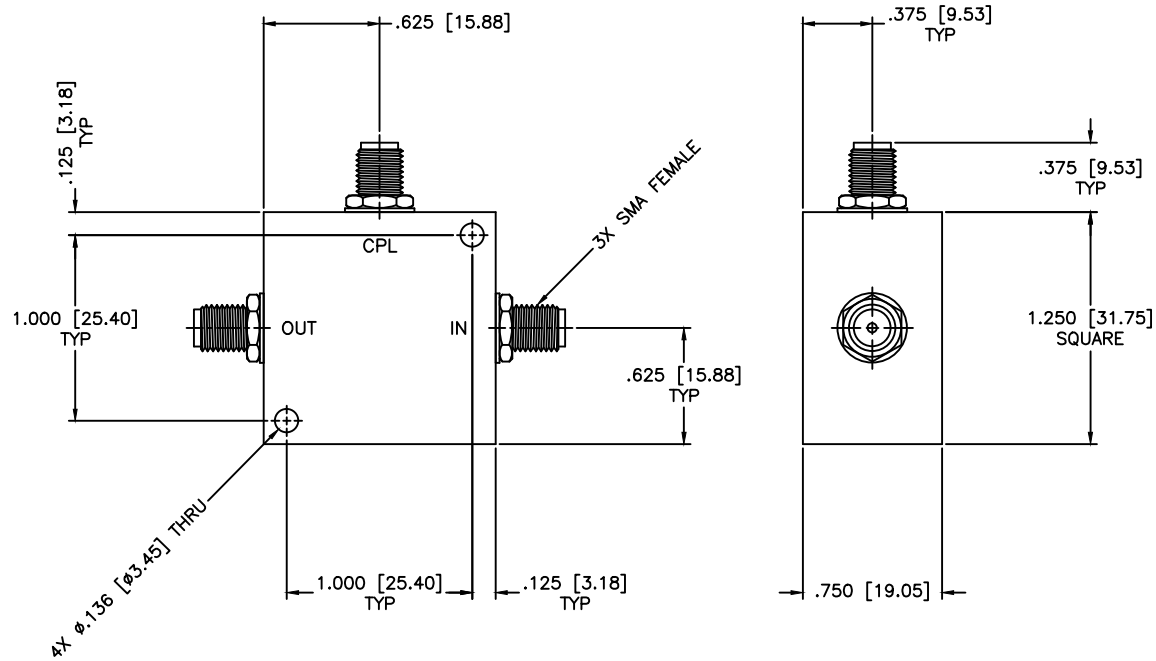


REVISIONS				
ZONE	REV	DESCRIPTION	DATE	APPROVED



SPECIFICATIONS

Frequency Range: 5–1000 MHz
 Coupling: 20±1.0dB (Nom)
 Mainline Insertion Loss: 0.9dB Typ, 1.2dB Max.
 Flatness: ±0.5dB
 Directivity: 24dB Typ, 18dB Min.
 VSWR: 1.30:1 Typ.
 Operating Temperature: –55°C to +100°C

MATERIAL:			MICROWAVE COMMUNICATIONS LABORATORIES INC. 7255 30TH AVE. N. SAINT PETERSBURG, FL 33710 TEL: (727) 344-6254 FAX: (727) 381-6116 http://WWW.MCLI.COM		SCALE: N/A
					SHEET: N/A
		UNLESS OTHERWISE SPECIFIED: TOLERANCES IN (INCHES) OR [mm] (MILLIMETERS) FRACTIONS: ± 1/64 DECIMALS: ±.015 ANGLE: ±1/2°	DRAWING TITLE: DIRECTIONAL COUPLER		
		PROPRIETARY NOTICE: THE INFORMATION IN THIS DRAWING IS PROPRIETARY AND SHALL NOT BE USED OR DISCLOSED WITHOUT WRITTEN PERMISSION FROM MICROWAVE COMMUNICATIONS LABORATORIES INC. (MCLI)	PART NO. CL5-20		
DRAWN: Paiboon Luekhamhan	DATE: 11-03-2009		CAGE CODE: OD2L5	SIZE: A	REV: C
APPROVED: T. Nguyen	DATE: 11-03-2009		DO NOT SCALE THE DRAWING		DWG NO. 84633