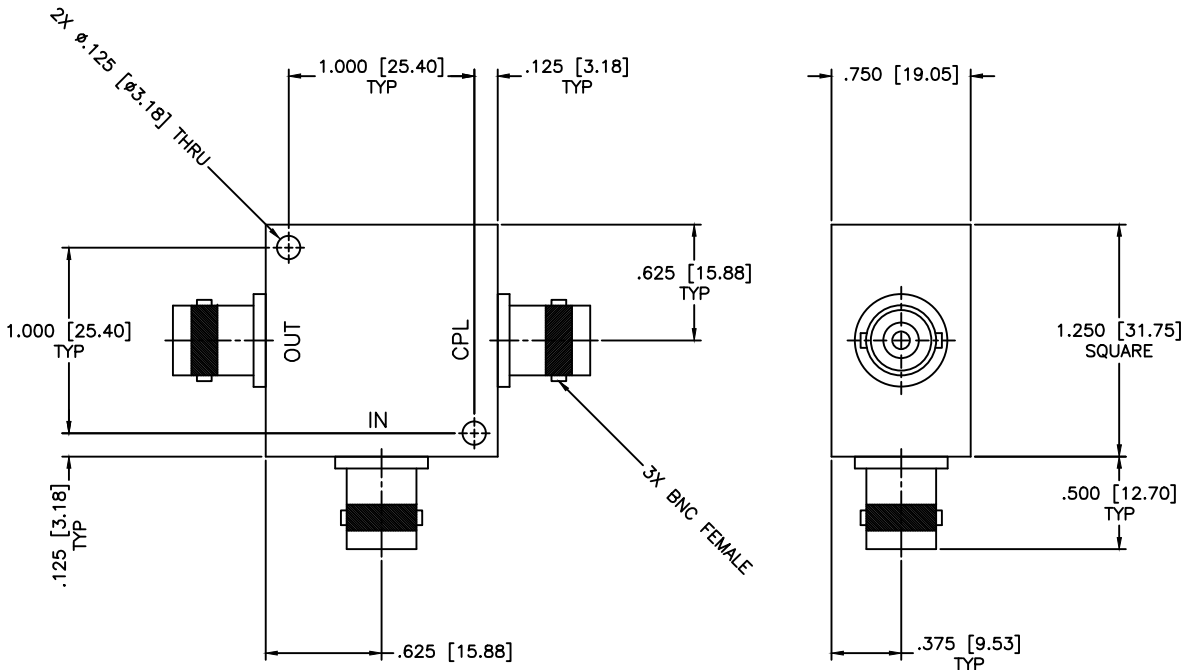


REVISIONS				
ZONE	REV	DESCRIPTION	DATE	APPROVED



**SPECIFICATIONS**

Frequency Range: 1–500 MHz  
 Coupling: 15±0.5dB  
 Insertion Loss: 1.2dB Max.  
 Flatness: ±1.0dB  
 Directivity: 20dB Min.  
 VSWR: 1.30:1 Typ.  
 Input Power: –55°C to +100°C

MATERIAL:		MICROWAVE COMMUNICATIONS LABORATORIES INC. 7255 30TH AVE. N. SAINT PETERSBURG, FL 33710 TEL: (727) 344-6254 FAX: (727) 381-6116 http://WWW.MCLI.COM	SCALE: N/A	
UNLESS OTHERWISE SPECIFIED: TOLERANCES IN (INCHES) OR [mm] (MILLIMETERS) FRACTIONS: ± 1/64 DECIMALS: ±.01 ±.005 ANGLE: ±1/2°			SHEET: N/A	
ENG: Paiboon Luekhamhan DATE: 06-24-2010		DRAWING TITLE: DIRECTIONAL COUPLER		
APPROVED: T. Nguyen DATE: 06-24-2010		PART NO. CL4-16/BF		
PROPRIETARY NOTICE: THE INFORMATION IN THIS DRAWING IS PROPRIETARY AND SHALL NOT BE USED OR DISCLOSED WITHOUT WRITTEN PERMISSION FROM MICROWAVE COMMUNICATIONS LABORATORIES INC. (MCLI)		CAGE CODE: OD2L5	SIZE: A	REV: N/A
THIRD ANGLE PROJECTION 		DO NOT SCALE THE DRAWING		DWG NO. 84969