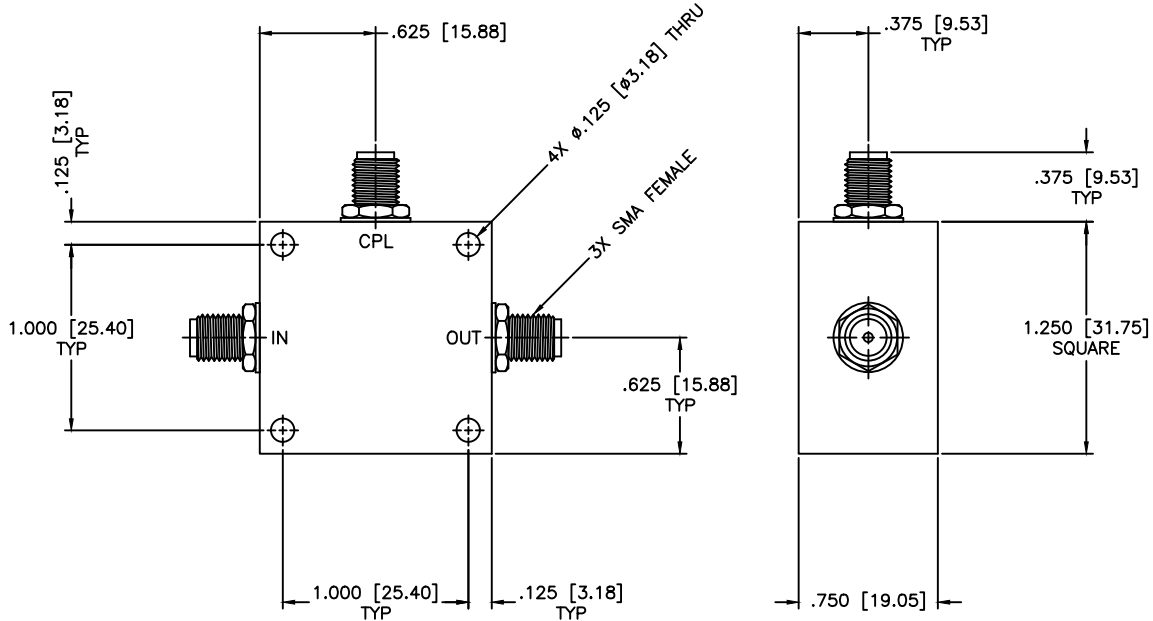


REVISIONS				
ZONE	REV	DESCRIPTION	DATE	APPROVED



SPECIFICATIONS

Frequency Range: 1–500 MHz
 Coupling: 15±0.5dB
 Insertion Loss: 0.8dB Max.
 Flatness: ±0.25dB
 Directivity: 25dB Min.
 VSWR: 1.30:1 Max.
 Operating Temperature: –55°C to +85°C

MATERIAL:			MICROWAVE COMMUNICATIONS LABORATORIES INC. 7255 30TH AVE. N. SAINT PETERSBURG, FL 33710 TEL: (727) 344-6254 FAX: (727) 381-6116 http://WWW.MCLI.COM		SCALE:	N/A
			UNLESS OTHERWISE SPECIFIED: TOLERANCES IN (INCHES) OR [mm] (MILLIMETERS) FRACTIONS: ± 1/64 DECIMALS: ±.01 ±.005 ANGLE: ±1/2°		SHEET:	N/A
ENG: Paboon Luekhamhan DATE: 10-04-1999		PROPRIETARY NOTICE: THE INFORMATION IN THIS DRAWING IS PROPRIETARY AND SHALL NOT BE USED OR DISCLOSED WITHOUT WRITTEN PERMISSION FROM MICROWAVE COMMUNICATIONS LABORATORIES INC. (MCLI)		DRAWING TITLE: DIRECTIONAL COUPLER		
APPROVED: T. Nguyen DATE: 10-04-1999		PART NO. CL4-16		CAGE CODE:	SIZE: A	REV: N/A
		THIRD ANGLE PROJECTION 		OD2L5	DO NOT SCALE THE DRAWING	
						DWG NO. 81421