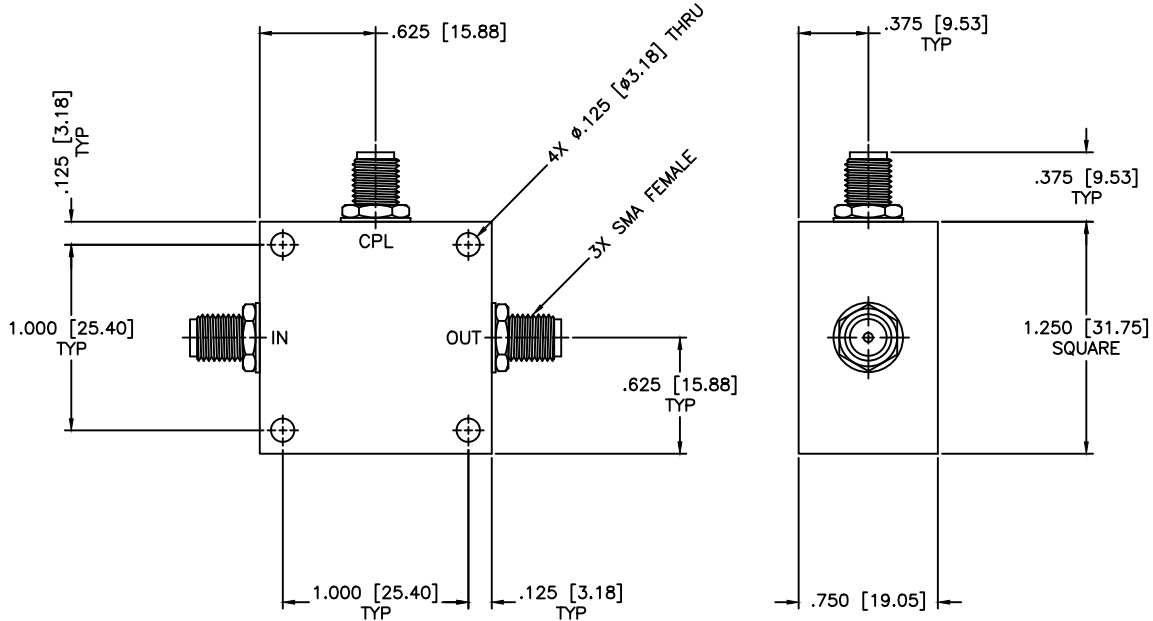


REVISIONS				
ZONE	REV	DESCRIPTION	DATE	APPROVED



SPECIFICATIONS

- Frequency Range: 0.1–50 MHz
- Coupling: 11 ± 0.5 dB
- Insertion Loss: 0.6 dB Max.
- Flatness: ± 0.25 dB
- Directivity: 30 dB Min.
- VSWR: 1.20:1 Max.
- Operating Temperature: -55°C to $+85^\circ\text{C}$

MATERIAL:			MICROWAVE COMMUNICATIONS LABORATORIES INC. 7255 30TH AVE. N. SAINT PETERSBURG, FL 33710 TEL: (727) 344-6254 FAX: (727) 381-6116 http://WWW.MCLI.COM		SCALE: N/A
			UNLESS OTHERWISE SPECIFIED: TOLERANCES IN (INCHES) OR [mm] (MILLIMETERS) FRACTIONS: $\pm 1/64$ DECIMALS: $\pm 0.01 \pm 0.05$ ANGLE: $\pm 1/2^\circ$		SHEET: N/A
DRAWN: Paiboon Luekhamhan		DRAWING TITLE: DIRECTIONAL COUPLER		PART NO. CL2-13	
DATE: 11-09-1997		PROPRIETARY NOTICE: THE INFORMATION IN THIS DRAWING IS PROPRIETARY AND SHALL NOT BE USED OR DISCLOSED WITHOUT WRITTEN PERMISSION FROM MICROWAVE COMMUNICATIONS LABORATORIES INC. (MCLI)		CAGE CODE: OD2L5	SIZE: A
APPROVED: T. Nguyen		DATE: 11-09-1997		REV: N/A	DWG NO. 80342
		THIRD ANGLE PROJECTION		DO NOT SCALE THE DRAWING	