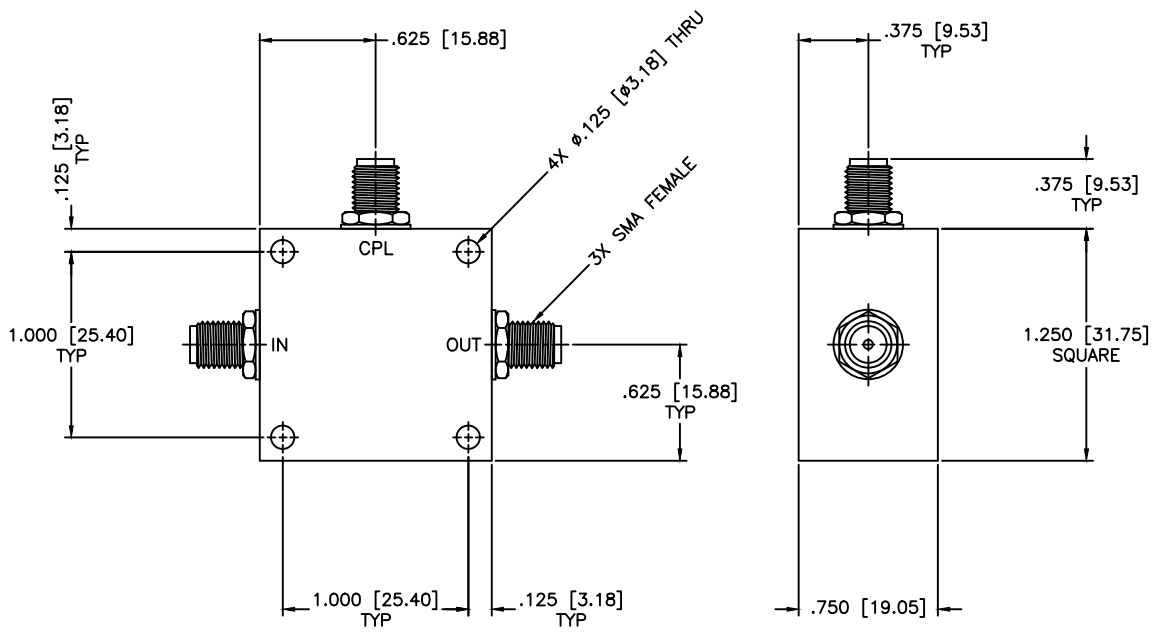


REVISIONS				
ZONE	REV	DESCRIPTION	DATE	APPROVED



**SPECIFICATIONS**

- Frequency Range: 100–1200 MHz
- Coupling: 20±0.75dB
- Mainline Insertion Loss: 1.1dB Max.
- Flatness: ±0.7dB
- Directivity: 26dB Typ, 13dB Min.
- VSWR: 1.17:1 Max.
- Operating Temperature: -55°C to +85°C

MATERIAL:			MICROWAVE COMMUNICATIONS LABORATORIES INC. 7255 30TH AVE. N. SAINT PETERSBURG, FL 33710 TEL: (727) 344-6254 FAX: (727) 381-6116 http://WWW.MCLI.COM		SCALE: N/A	
			UNLESS OTHERWISE SPECIFIED: TOLERANCES IN (INCHES) OR [mm] (MILLIMETERS) FRACTIONS: ± 1/64 DECIMALS: ±.01 ±.005 ANGLE: ±1/2°		SHEET: N/A	
DRAWING TITLE:		DIRECTIONAL COUPLER				
PART NO.:		CL18-20				
DRAWN:	DATE:	PROPRIETARY NOTICE: THE INFORMATION IN THIS DRAWING IS PROPRIETARY AND SHALL NOT BE USED OR DISCLOSED WITHOUT WRITTEN PERMISSION FROM MICROWAVE COMMUNICATIONS LABORATORIES INC. (MCLI)	CAGE CODE:	SIZE:	REV:	DWG NO.:
Paiboon Luekhamhan	08-30-2002		OD2L5	A	N/A	85069
APPROVED:	DATE:	THIRD ANGLE PROJECTION		DO NOT SCALE THE DRAWING		
T. Nguyen	08-30-2002					