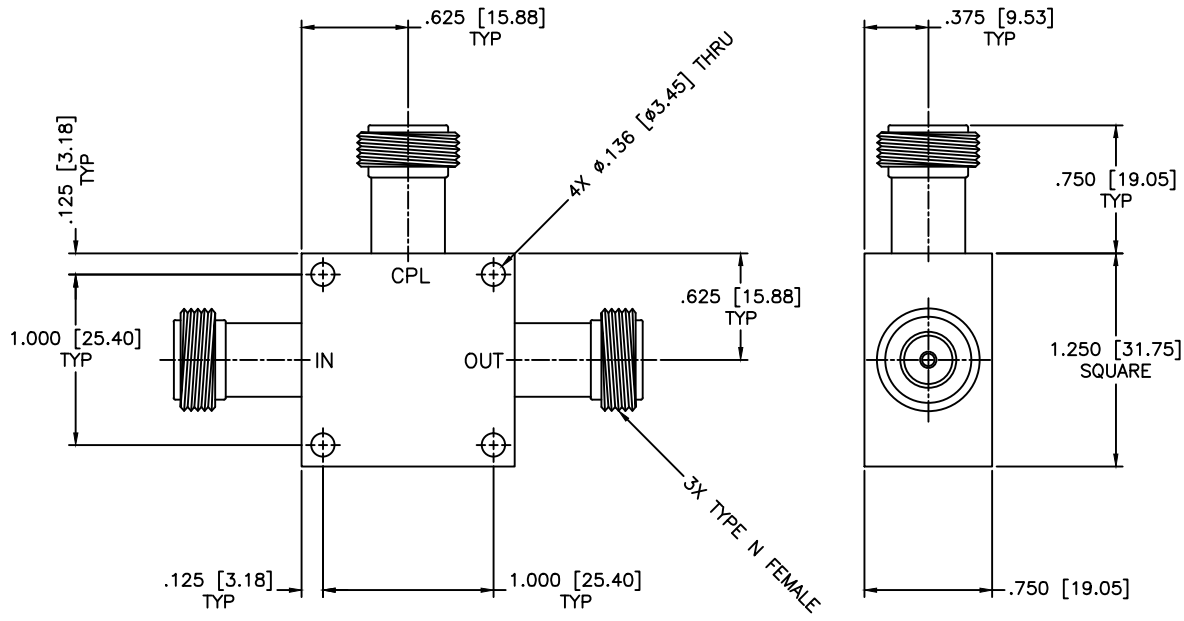


REVISIONS				
ZONE	REV	DESCRIPTION	DATE	APPROVED



**SPECIFICATIONS**

FREQUENCY RANGE: 100–500 MHz  
 INPUT POWER: 1 Watt CW  
 MAINLINE LOSS: 2.5dB Max.  
 (Including coupling loss) 3.0dB Max.  
 VSWR: 1.50:1 Max.  
 COUPLING FLATNESS: ±1.0dB  
 DIRECTIVITY: 16dB (Min.) 23dB(Typ)  
 COUPLING: 5.5±0.75dB (Nom)  
 OPERATING TEMPERTURE RANGE: -20°C to +70°C

MATERIAL:			MICROWAVE COMMUNICATIONS LABORATORIES INC. 7255 30TH AVE. N. SAINT PETERSBURG, FL 33710 TEL: (727) 344-6254 FAX: (727) 381-6116 http://WWW.MCLI.COM		SCALE:	N/A
			UNLESS OTHERWISE SPECIFIED: TOLERANCES IN (INCHES) OR [mm] (MILLIMETERS) FRACTIONS: ± 1/64 DECIMALS: ±.01 ±.005 ANGLE: ±1/2°		SHEET:	N/A
DRAWING TITLE:		DIRECTIONAL COUPLER				
PART NO.:		CL13-5.5/NF				
DRAWN:	DATE:	PROPRIETARY NOTICE: THE INFORMATION IN THIS DRAWING IS PROPRIETARY AND SHALL NOT BE USED OR DISCLOSED WITHOUT WRITTEN PERMISSION FROM MICROWAVE COMMUNICATIONS LABORATORIES INC. (MCLI)	CAGE CODE:	SIZE:	REV:	DWG NO.:
APPROVED:	DATE:		OD2L5	N/A	N/A	82479
		THIRD ANGLE PROJECTION	DO NOT SCALE THE DRAWING			