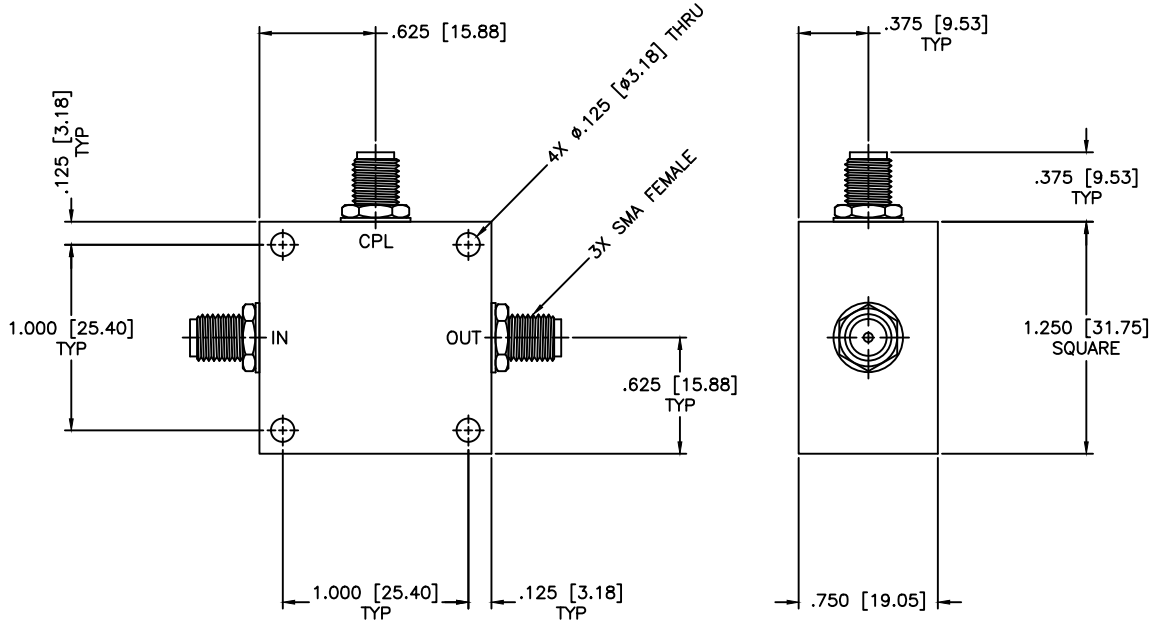


REVISIONS				
ZONE	REV	DESCRIPTION	DATE	APPROVED



SPECIFICATIONS

- Frequency Range: 0.1–10 MHz
- Coupling: 30±0.5dB
- Insertion Loss: 0.4dB Max.
- Flatness: ±0.25dB
- Directivity: 20dB Min.
- VSWR: 1.20:1 Max.
- Operating Temperature: -55°C to +85°C

MATERIAL:			MICROWAVE COMMUNICATIONS LABORATORIES INC. 7255 30TH AVE. N. SAINT PETERSBURG, FL 33710 TEL: (727) 344-6254 FAX: (727) 381-6116 http://WWW.MCLI.COM		SCALE: N/A
			UNLESS OTHERWISE SPECIFIED: TOLERANCES IN (INCHES) OR [mm] (MILLIMETERS) FRACTIONS: ± 1/64 DECIMALS: ±.01 ±.005 ANGLE: ±1/2°		SHEET: N/A
DRAWN: Paiboon Luekhamhan		DRAWING TITLE: DIRECTIONAL COUPLER		PART NO. CL1-30	
DATE: 11-09-1997		PROPRIETARY NOTICE: THE INFORMATION IN THIS DRAWING IS PROPRIETARY AND SHALL NOT BE USED OR DISCLOSED WITHOUT WRITTEN PERMISSION FROM MICROWAVE COMMUNICATIONS LABORATORIES INC. (MCLI)		CAGE CODE: OD2L5	SIZE: A
APPROVED: T. Nguyen		DATE: 11-09-1997		REV: N/A	DWG NO. 80340
		THIRD ANGLE PROJECTION		DO NOT SCALE THE DRAWING	