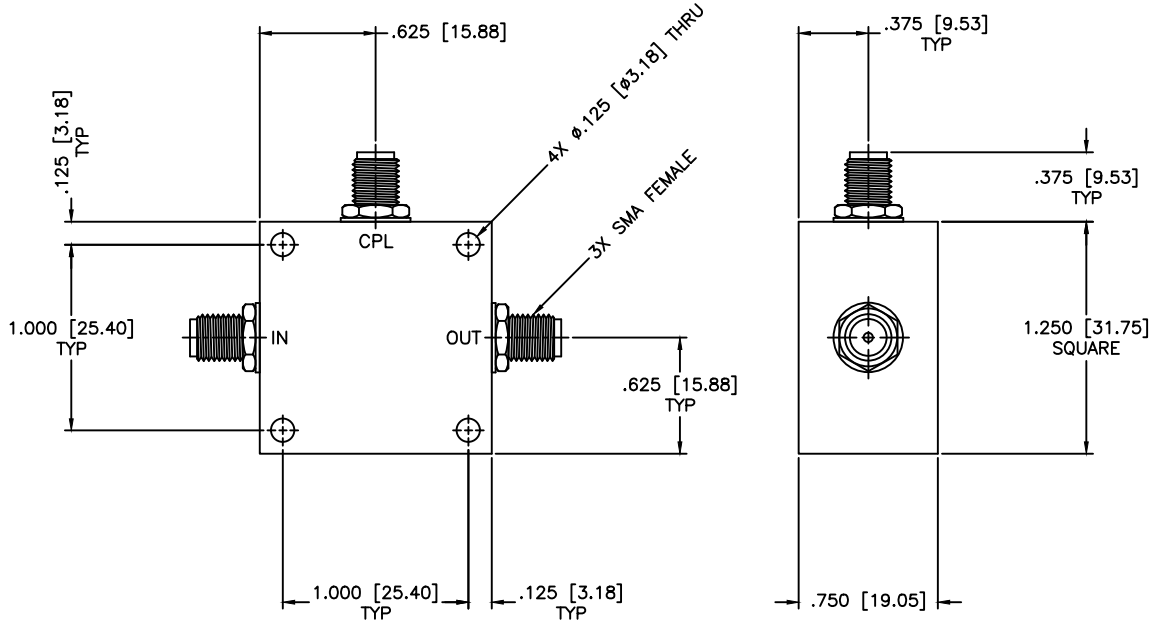


| REVISIONS | | | | |
|-----------|-----|-------------|------|----------|
| ZONE | REV | DESCRIPTION | DATE | APPROVED |



SPECIFICATIONS

Frequency Range: 0.1–10 MHz
 Coupling: 11.5±0.5dB
 Insertion Loss: 0.5dB Max.
 Flatness: ±0.25dB
 Directivity: 30dB Min.
 VSWR: 1.20:1 Max.
 Operating Temperature: -55°C to +85°C

| | | | | | | |
|---|------------------|---|--------------------------|---------|----------|---------------|
| MATERIAL: | | MICROWAVE COMMUNICATIONS LABORATORIES INC. 7255 30TH AVE. N. SAINT PETERSBURG, FL 33710 TEL: (727) 344-6254 FAX: (727) 381-6116 http://WWW.MCLI.COM | SCALE: N/A | | | |
| | | | SHEET: N/A | | | |
| UNLESS OTHERWISE SPECIFIED: TOLERANCES IN (INCHES) OR [mm] (MILLIMETERS) FRACTIONS: ± 1/64 DECIMALS: ±.01 ±.005 ANGLE: ±1/2° | | DRAWING TITLE: DIRECTIONAL COUPLER | | | | |
| | | PART NO. CL1-13 | | | | |
| DRAWN: Paiboon Luekhamhan | DATE: 11-09-1997 | PROPRIETARY NOTICE: THE INFORMATION IN THIS DRAWING IS PROPRIETARY AND SHALL NOT BE USED OR DISCLOSED WITHOUT WRITTEN PERMISSION FROM MICROWAVE COMMUNICATIONS LABORATORIES INC. (MCLI) | CAGE CODE: OD2L5 | SIZE: A | REV: N/A | DWG NO. 80337 |
| APPROVED: T. Nguyen | DATE: 11-09-1997 | | DO NOT SCALE THE DRAWING | | | |

