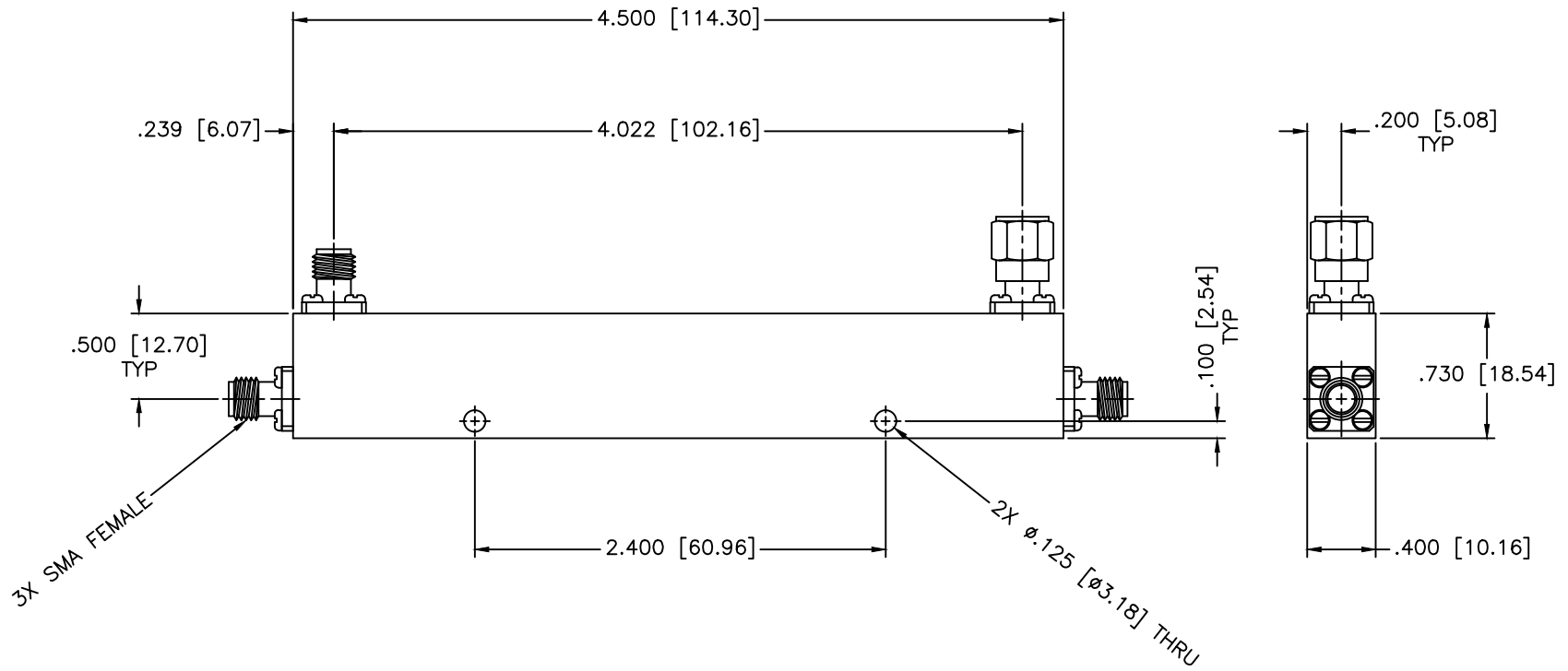


REVISIONS				
ZONE	REV	DESCRIPTION	DATE	APPROVED



**SPECIFICATIONS**

Frequency Range: 0.375–6.0 GHz  
 VSWR: 1.30:1 Max.  
 Coupling: 10±1.0dB  
 Insertion Loss: 1.0dB Max.  
 Directivity: 13dB Min.  
 Frequency Sensitivity: ±1.0dB  
 Power Average: 20W, 3kW Peak  
 Operating Temperature: -32°C to +85°C

MATERIAL:			MICROWAVE COMMUNICATIONS LABORATORIES INC. 7255 30TH AVE. N. SAINT PETERSBURG, FL 33710 TEL: (727) 344-6254 FAX: (727) 381-6116 http://WWW.MCLI.COM		SCALE: N/A
UNLESS OTHERWISE SPECIFIED: TOLERANCES IN (INCHES) OR [mm] (MILLIMETERS) FRACTIONS: ± 1/64 DECIMALS: ±.02 ±.008 ANGLE: ±1/2°			DRAWING TITLE: DIRECTIONAL COUPLER		SHEET: N/A
DRAWN: Paboon Luekhamhan		DATE: 02-22-2012		PART NO. CB93-10	
APPROVED: T. Nguyen		DATE: 02-22-2012		CAGE CODE: OD2L5	SIZE: A    REV: B    DWG NO. 85049 DO NOT SCALE THE DRAWING

PROPRIETARY NOTICE:  
 THE INFORMATION IN THIS DRAWING IS PROPRIETARY  
 AND SHALL NOT BE USED OR DISCLOSED WITHOUT WRITTEN  
 PERMISSION FROM MICROWAVE COMMUNICATIONS  
 LABORATORIES INC. (MCLI)  
 THIRD ANGLE PROJECTION