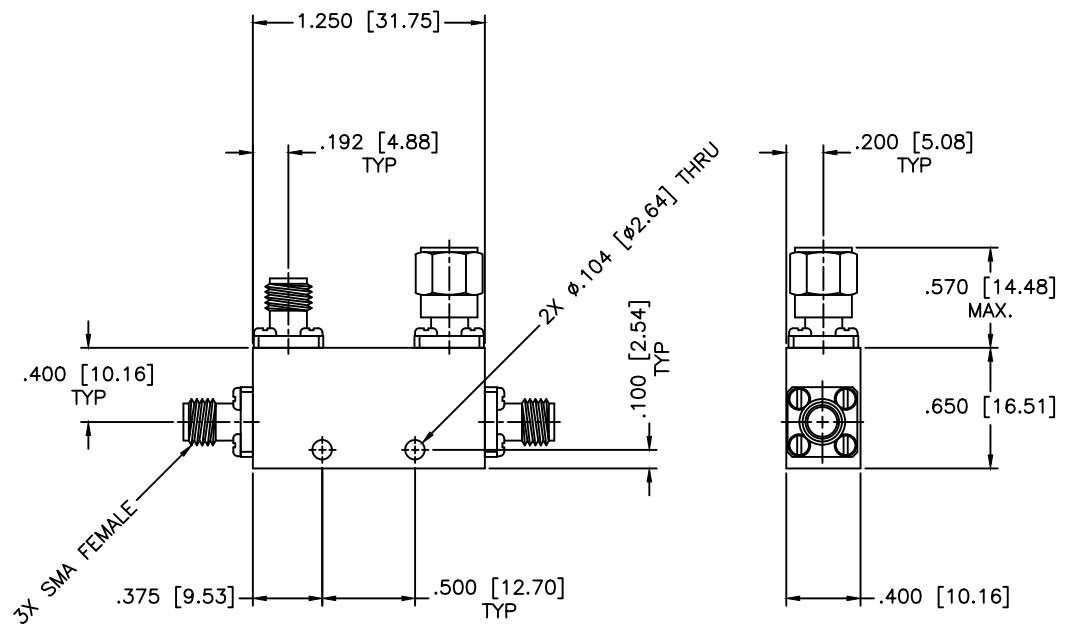


| REVISIONS |     |             |      |          |
|-----------|-----|-------------|------|----------|
| ZONE      | REV | DESCRIPTION | DATE | APPROVED |



**SPECIFICATIONS**

- Frequency Range: 4–18 GHz
- Coupling: 6±1.0dB
- Frequency Sensitivity: ±0.5dB
- Insertion Loss: 2.0dB Max.
- Directivity: 12dB Min.
- VSWR: 1.40:1 Max.
- Power: 2W Avg, 3kW Peak

|   |                     |                        |  |                  |                          |     |
|---|---------------------|------------------------|--|------------------|--------------------------|-----|
| MATERIAL:   |                     |                        | MICROWAVE COMMUNICATIONS LABORATORIES INC.<br>7255 30TH AVE. N. SAINT PETERSBURG, FL 33710<br>TEL: (727) 344-6254 FAX: (727) 381-6116<br>http://WWW.MCLI.COM |                  | SCALE:                   | N/A |
|   |                     |                        | UNLESS OTHERWISE SPECIFIED:<br>TOLERANCES<br>IN (INCHES) OR [mm] (MILLIMETERS)<br>FRACTIONS: ± 1/64<br>DECIMALS: ±.01 ±.005<br>ANGLE: ±1/2°                  |                  | SHEET:                   | N/A |
| DRAWING TITLE:  |                     | DIRECTIONAL COUPLER    |  |                  |                          |     |
| PART NO.  |                     | CB9-6                  |  |                  |                          |     |
| PROPRIETARY NOTICE:<br>THE INFORMATION IN THIS DRAWING IS PROPRIETARY<br>AND SHALL NOT BE USED OR DISCLOSED WITHOUT WRITTEN<br>PERMISSION FROM MICROWAVE COMMUNICATIONS<br>LABORATORIES INC. (MCLI) | CAGE CODE:<br>OD2L5 | SIZE:<br>A             | REV:<br>N/A  | DWG NO.<br>82028 | DO NOT SCALE THE DRAWING |     |
| DRAWN:<br>Paiboon Luekhamhan  | DATE:<br>05-17-2004 | THIRD ANGLE PROJECTION |  |                  |                          |     |
| APPROVED:<br>T. Nguyen  | DATE:<br>05-17-2004 |                        |  |                  |                          |     |