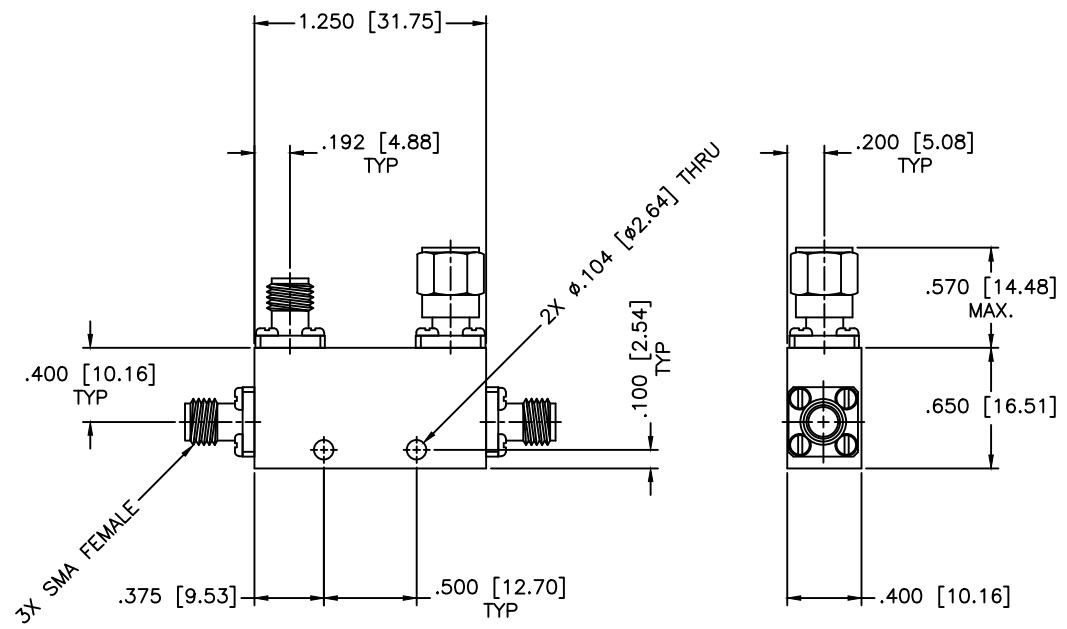


REVISIONS				
ZONE	REV	DESCRIPTION	DATE	APPROVED



SPECIFICATIONS

- Frequency Range: 4–18 GHz
- Coupling: 20 ± 1.0 dB
- Frequency Sensitivity: ± 0.5 dB
- Insertion Loss: 0.7 dB Max.
- Directivity: 12 dB Min.
- VSWR: 1.40:1 Max.
- Power: 25W Avg, 3kW Peak
- Operating Temperature: -54°C to $+85^{\circ}\text{C}$

MATERIAL:			MICROWAVE COMMUNICATIONS LABORATORIES INC. 7255 30TH AVE. N. SAINT PETERSBURG, FL 33710 TEL: (727) 344-6254 FAX: (727) 381-6116 http://WWW.MCLI.COM		SCALE:	N/A
			UNLESS OTHERWISE SPECIFIED: TOLERANCES IN (INCHES) OR [mm] (MILLIMETERS) FRACTIONS: $\pm 1/64$ DECIMALS: $\pm 0.01 \pm 0.005$ ANGLE: $\pm 1/2^{\circ}$	DRAWING TITLE:		SHEET:
			DIRECTIONAL COUPLER, ALODINE COATING			
			PART NO.		CB9-20-AL	
DRAWN:	DATE:	PROPRIETARY NOTICE: THE INFORMATION IN THIS DRAWING IS PROPRIETARY AND SHALL NOT BE USED OR DISCLOSED WITHOUT WRITTEN PERMISSION FROM MICROWAVE COMMUNICATIONS LABORATORIES INC. (MCLI)	CAGE CODE:	SIZE:	REV:	DWG NO.
APPROVED:	DATE:		OD2L5	A	N/A	86209
		THIRD ANGLE PROJECTION	DO NOT SCALE THE DRAWING			