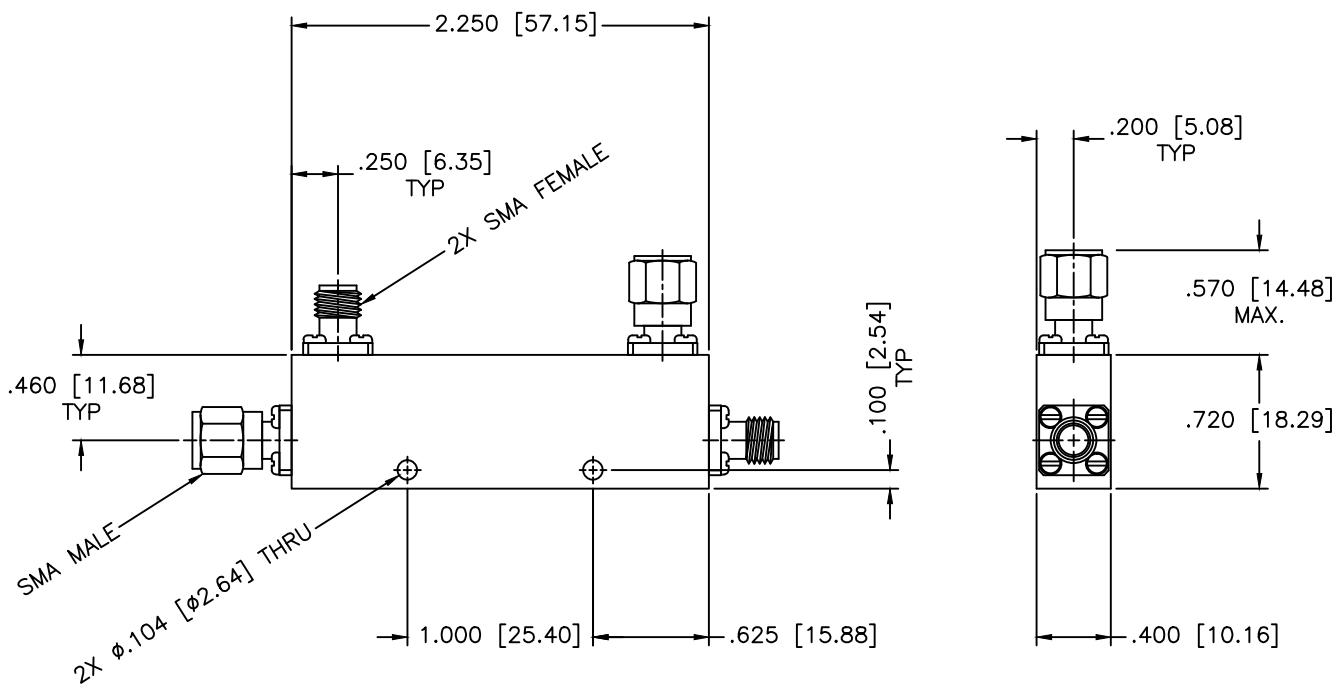


REVISIONS				
ZONE	REV	DESCRIPTION	DATE	APPROVED



SPECIFICATIONS

- Frequency Range: 2–16 GHz
- VSWR: 1.40:1 Max.
- Power: 25W Avg, 3kW Peak
- Insertion Loss: 0.9dB Max.
- Directivity: 15dB Min.
- Frequency Sensitivity: ± 0.7 dB
- Coupling: 30 ± 1.25 dB
- Operating Temperature: -54°C to $+85^{\circ}\text{C}$

MATERIAL:			MICROWAVE COMMUNICATIONS LABORATORIES INC. 7255 30TH AVE. N. SAINT PETERSBURG, FL 33710 TEL: (727) 344-6254 FAX: (727) 381-6116 http://WWW.MCLI.COM		SCALE:	N/A
			UNLESS OTHERWISE SPECIFIED: TOLERANCES IN (INCHES) OR [mm] (MILLIMETERS) FRACTIONS: $\pm 1/64$ DECIMALS: $\pm 0.01 \pm 0.005$ ANGLE: $\pm 1/2^{\circ}$		DRAWING TITLE:	DIRECTIONAL COUPLER
		PROPRIETARY NOTICE: THE INFORMATION IN THIS DRAWING IS PROPRIETARY AND SHALL NOT BE USED OR DISCLOSED WITHOUT WRITTEN PERMISSION FROM MICROWAVE COMMUNICATIONS LABORATORIES INC. (MCLI)		PART NO.:	CB8-30/SMI	
DRAWN:	DATE:		CAGE CODE:	SIZE:	REV:	DWG NO.:
APPROVED:	DATE:		OD2L5	A	N/A	82785
				DO NOT SCALE THE DRAWING		