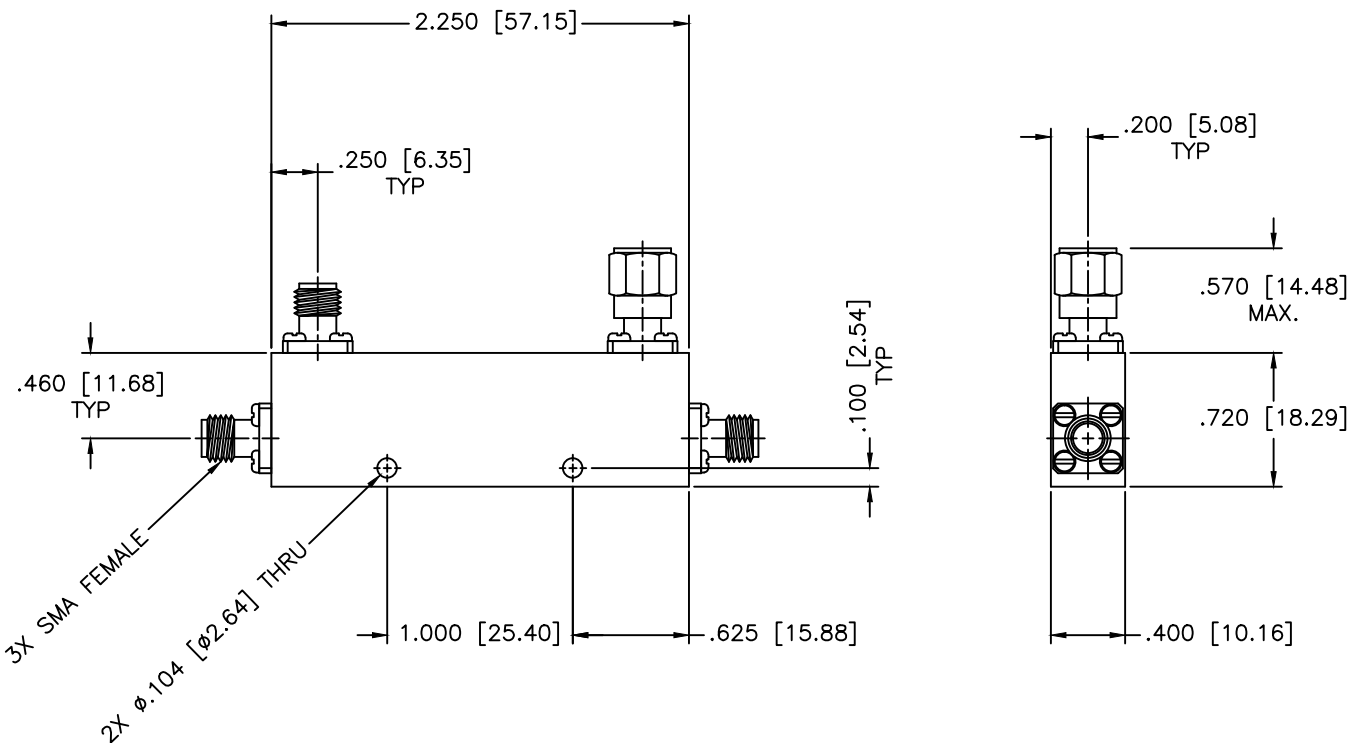


REVISIONS				
ZONE	REV	DESCRIPTION	DATE	APPROVED



SPECIFICATIONS

Frequency Range: 2–18 GHz
 VSWR: 1.50:1 Max.
 Power: 25W Avg, 3kW Peak
 Insertion Loss: 1.2dB Max.
 Directivity: 12dB Min.
 Frequency Sensitivity: ±0.5dB
 Coupling: 30±1.25dB
 Operating Temperature: -54°C to +85°C

MATERIAL:			MICROWAVE COMMUNICATIONS LABORATORIES INC. 7255 30TH AVE. N. SAINT PETERSBURG, FL 33710 TEL: (727) 344-6254 FAX: (727) 381-6116 http://WWW.MCLI.COM		SCALE:	N/A
			UNLESS OTHERWISE SPECIFIED: TOLERANCES IN (INCHES) OR [mm] (MILLIMETERS) FRACTIONS: ± 1/64 DECIMALS: ±.01 ±.005 ANGLE: ±1/2°		SHEET:	N/A
DRAWING TITLE:		DIRECTIONAL COUPLER				
PART NO.:		CB8-30				
PROPRIETARY NOTICE: THE INFORMATION IN THIS DRAWING IS PROPRIETARY AND SHALL NOT BE USED OR DISCLOSED WITHOUT WRITTEN PERMISSION FROM MICROWAVE COMMUNICATIONS LABORATORIES INC. (MCLI)	DRAWN: Paiboon Luekhamhan	DATE: 03-20-2012	CAGE CODE:	SIZE: A DO NOT SCALE THE DRAWING	REV: A DWG NO.	82782
APPROVED: T. Nguyen	DATE: 03-20-2012	THIRD ANGLE PROJECTION 	OD2L5			