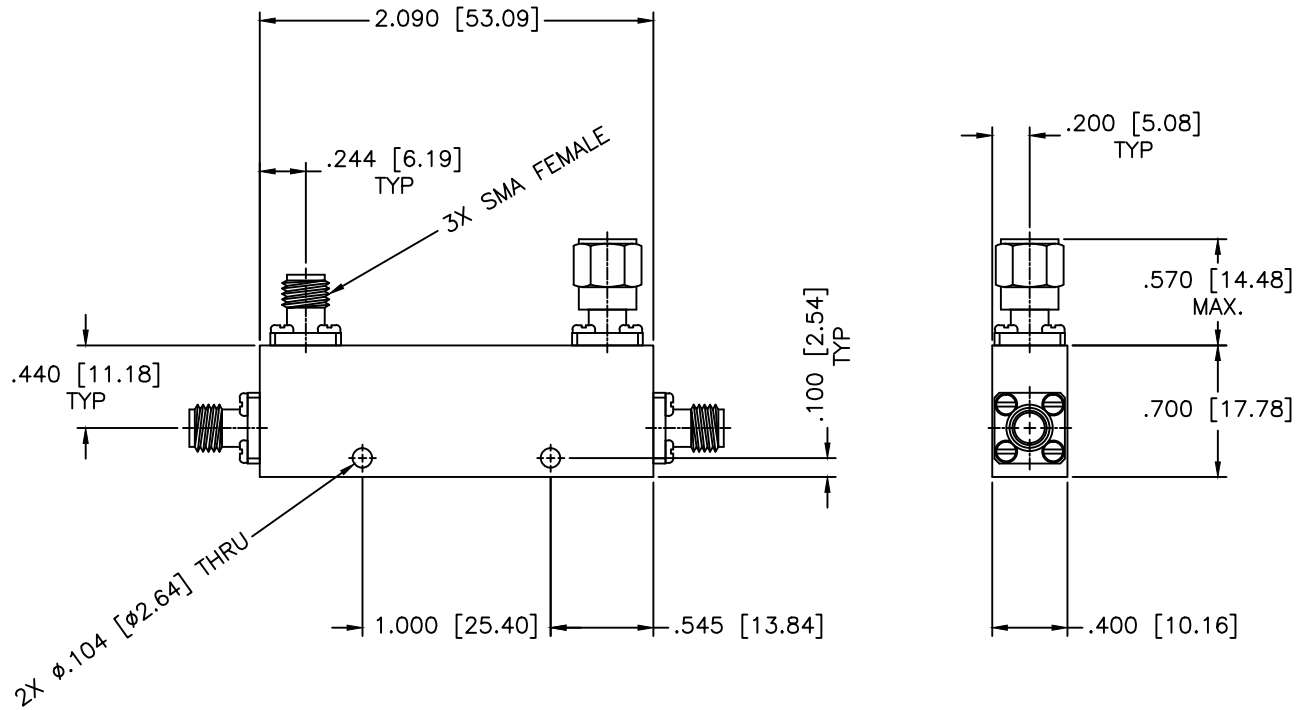


REVISIONS				
ZONE	REV	DESCRIPTION	Date	APPROVED



**SPECIFICATIONS**

- Frequency Range: 2–18 GHz
- Coupling: 10±1.0dB
- Insertion Loss: 1.3dB Max.
- Frequency Sensitivity: ±0.5dB
- Directivity: 12dB Min.
- VSWR: 1.50:1 Max.
- Power: 25W Avg, 3kW Peak
- Operating Temperature: -54°C to +85°C

MATERIAL:		<b>MCLI</b> MICROWAVE COMMUNICATIONS LABORATORIES INC. 7255 30TH AVE. N. SAINT PETERSBURG, FL 33710 TEL: (727) 344-6254 FAX: (727) 381-6116 http://WWW.MCLI.COM	SCALE:	N/A
			SHEET:	N/A
UNLESS OTHERWISE SPECIFIED: TOLERANCES IN (INCHES) OR [mm] (MILLIMETERS) FRACTIONS: ± 1/64 DECIMALS: ±.01 ±.005 ANGLE: ±1/2°		DRAWING TITLE: <b>DIRECTIONAL COUPLER, ALODINE COATING</b>		
DRAWN: Paiboon Luexhamhan		PART NO. <b>CB8-10-AL</b>		
DATE: 02-04-2013	DATE: 02-04-2013	CAGE CODE: OD2L5		
APPROVED: T. Nguyen	DATE: 02-04-2013	SIZE: N/A	REV: A	DWG NO. 86212
<small>FREQUENCY INDEX: THE INFORMATION IN THIS DRAWING IS PROPRIETARY AND SHALL NOT BE USED OR DISCLOSED WITHOUT WRITTEN PERMISSION FROM MICROWAVE COMMUNICATIONS LABORATORIES INC. (MCLI)</small> 		DO NOT SCALE THE DRAWING		