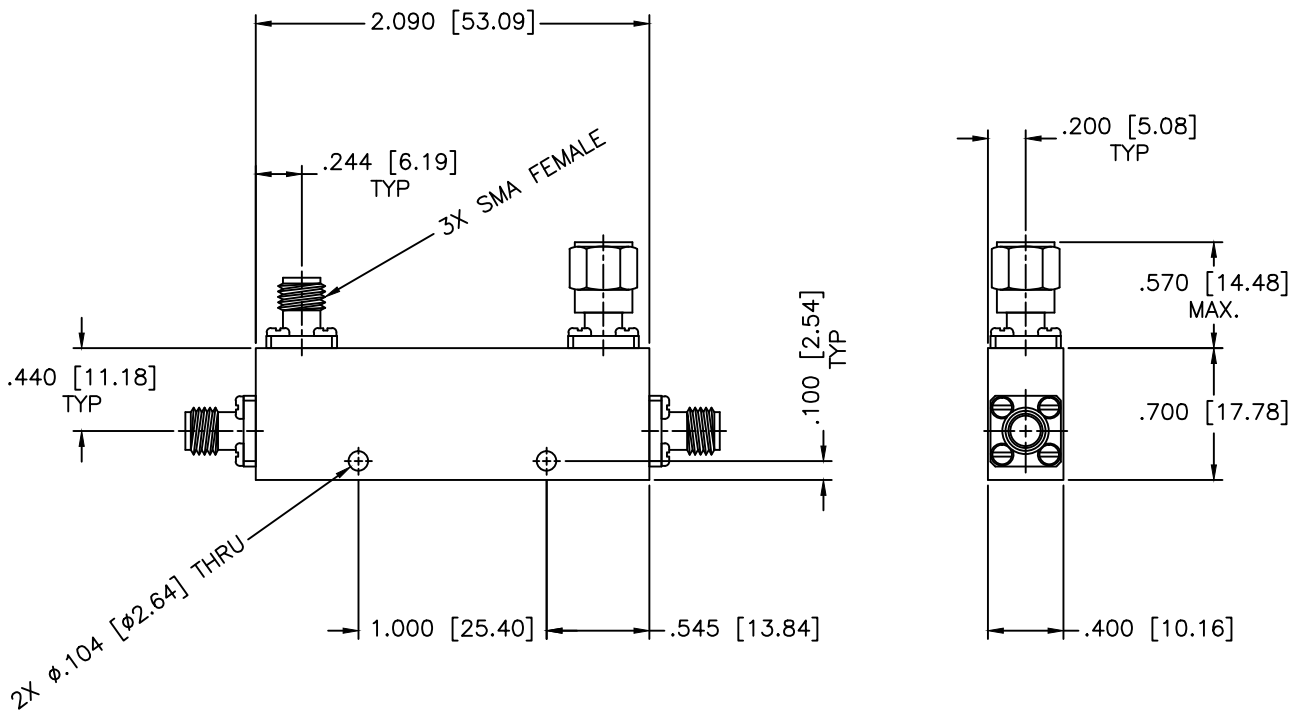


REVISIONS				
ZONE	REV	DESCRIPTION	Date	APPROVED



SPECIFICATIONS

- Frequency Range: 2–18 GHz
- Coupling: 10±1.0dB
- Insertion Loss: 1.3dB Max.
- Frequency Sensitivity: ±0.5dB
- Directivity: 12dB Min.
- VSWR In/Out: 1.40:1/1.50:1 Max.
- Power: 50W Avg, 3kW Peak
- Operating Temperature: -54°C to +85°C

MATERIAL:		MCLI MICROWAVE COMMUNICATIONS LABORATORIES INC. 7255 30TH AVE. N. SAINT PETERSBURG, FL 33710 TEL: (727) 344-6254 FAX: (727) 381-6116 http://WWW.MCLI.COM	SCALE:	N/A
			SHEET:	N/A
DRAWN: Paiboon Luekhamhan		DATE: 08-26-2015	DRAWING TITLE: DIRECTIONAL COUPLER	
APPROVED: T. Nguyen		DATE: 08-26-2015	PART NO. CB8-10-50	
UNLESS OTHERWISE SPECIFIED: TOLERANCES IN (INCHES) OR [mm] (MILLIMETERS) FRACTIONS: ± 1/64 DECIMALS: ±.03 ±.010 ANGLE: ±1/2°		THIRD ANGLE PROJECTION 	CAGE CODE: OD2L5	SIZE: N/A REV: A DWG NO. 86586
DO NOT SCALE THE DRAWING				