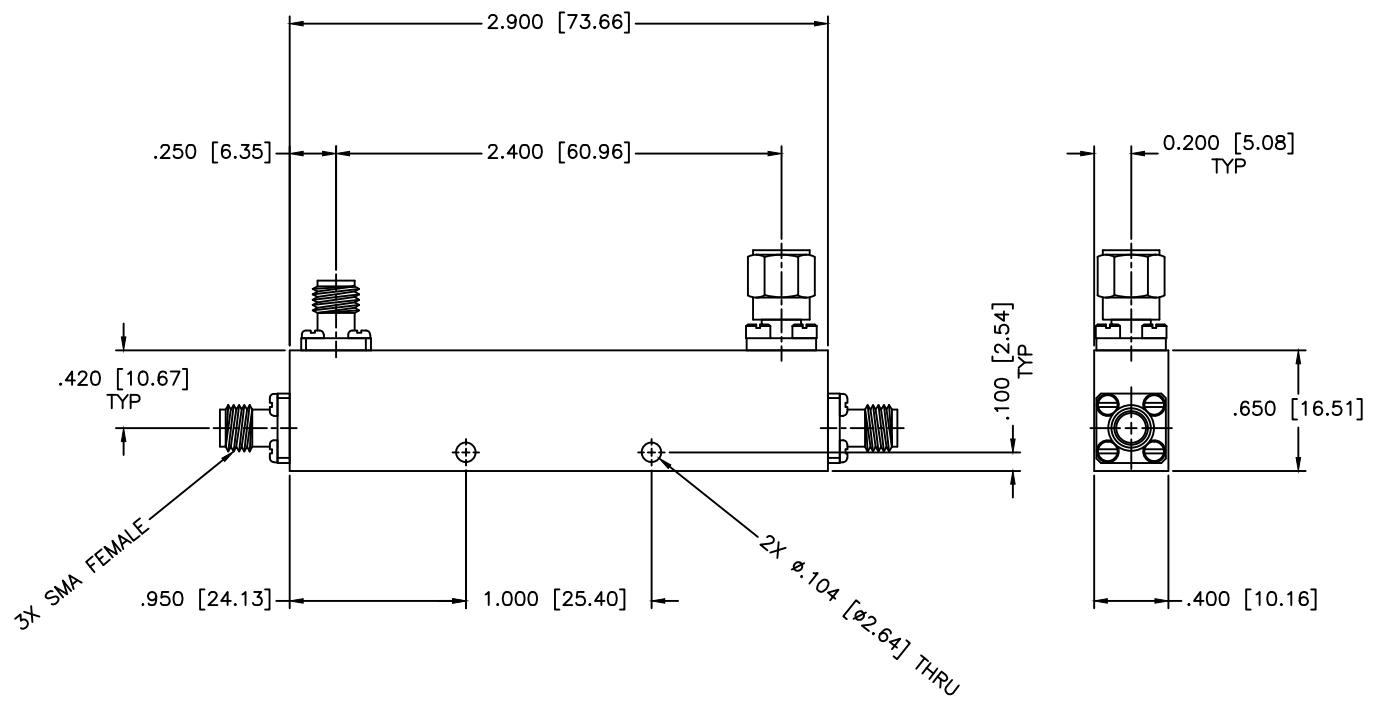


REVISIONS				
ZONE	REV	DESCRIPTION	DATE	APPROVED



**SPECIFICATIONS**

Frequency Range: 1.7–26.5 GHz  
 VSWR: 1.45:1 Max.  
 Coupling: 10±1.0dB  
 Insertion Loss: 1.5dB Max.  
 Directivity: 14dB Min.  
 Frequency Sensitivity: ±0.6dB  
 Power Incident, Reflected: 50W, 5W, 3kW Peak

MATERIAL:		MICROWAVE COMMUNICATIONS LABORATORIES INC. 7255 30TH AVE. N. SAINT PETERSBURG, FL 33710 TEL: (727) 344-6254 FAX: (727) 381-6116 http://WWW.MCLI.COM	SCALE:	N/A		
			SHEET:	N/A		
DRAWING TITLE:		DIRECTIONAL COUPLER				
PART NO.:		CB77-10				
DRAWN:	DATE:	PROPRIETARY NOTICE: THE INFORMATION IN THIS DRAWING IS PROPRIETARY AND SHALL NOT BE USED OR DISCLOSED WITHOUT WRITTEN PERMISSION FROM MICROWAVE COMMUNICATIONS LABORATORIES INC. (MCLI)	CAGE CODE:	SIZE:	REV:	DWG NO.:
APPROVED:	DATE:			OD2L5	A	N/A
				DO NOT SCALE THE DRAWING		