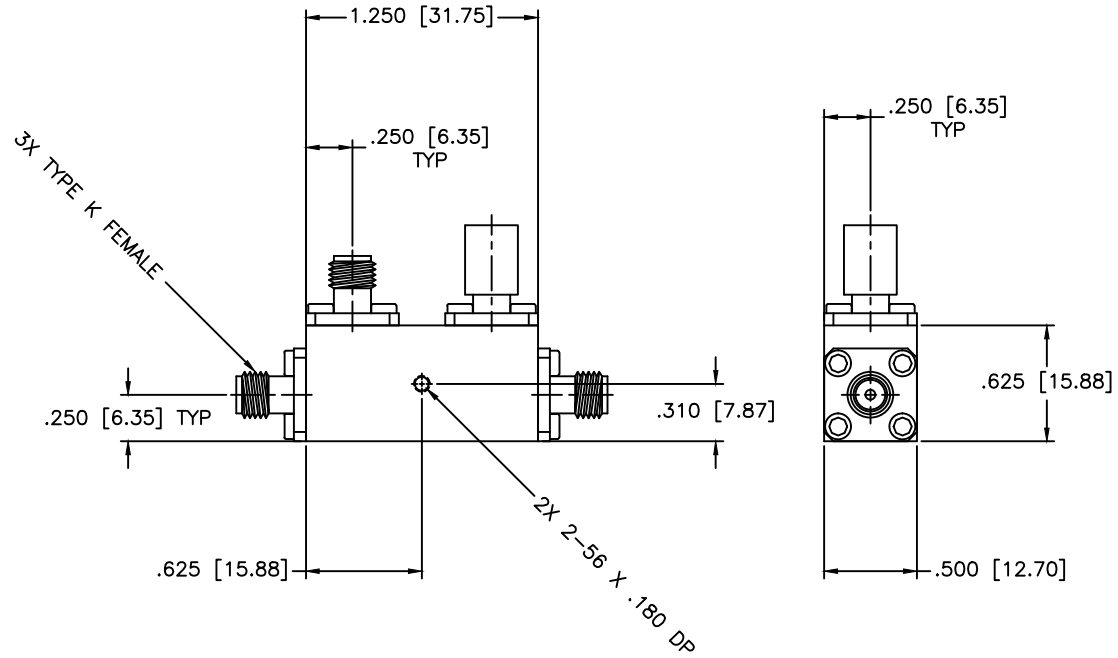


REVISIONS				
ZONE	REV	DESCRIPTION	Date	APPROVED



SPECIFICATIONS

Frequency Range: 6–32 GHz
 VSWR: 1.70:1 Max.
 Coupling: 10±1.0dB
 Insertion Loss: 1.6dB Max.
 Directivity: 12dB Min.
 Frequency Sensitivity: ±0.7dB
 Power Incident, Reflected, Peak: 20W, 5W, 3kW

MATERIAL:		MICROWAVE COMMUNICATIONS LABORATORIES INC. 7255 30TH AVE. N. SAINT PETERSBURG, FL 33710 TEL: (727) 344-6254 FAX: (727) 381-6116 http://WWW.MCLI.COM	SCALE:	N/A
			SHEET:	N/A
UNLESS OTHERWISE SPECIFIED: TOLERANCES IN (INCHES) OR (mm) (MILLIMETERS) FRACTIONS: ± 1/64 DECIMALS: ±.01 ±.005 ANGLE: ±1/2°		DRAWING TITLE: DIRECTIONAL COUPLER		
DRAWN: Paiboon Luekhamhan		PART NO. CB76-10		
DATE: 03-11-2008		CAGE CODE:		
APPROVED: T. Nguyen		DATE: 03-11-2008		
THIRD ANGLE PROJECTION		SIZE:	N/A	REV:
		OD2L5	N/A	DWG NO. 83083
DO NOT SCALE THE DRAWING				