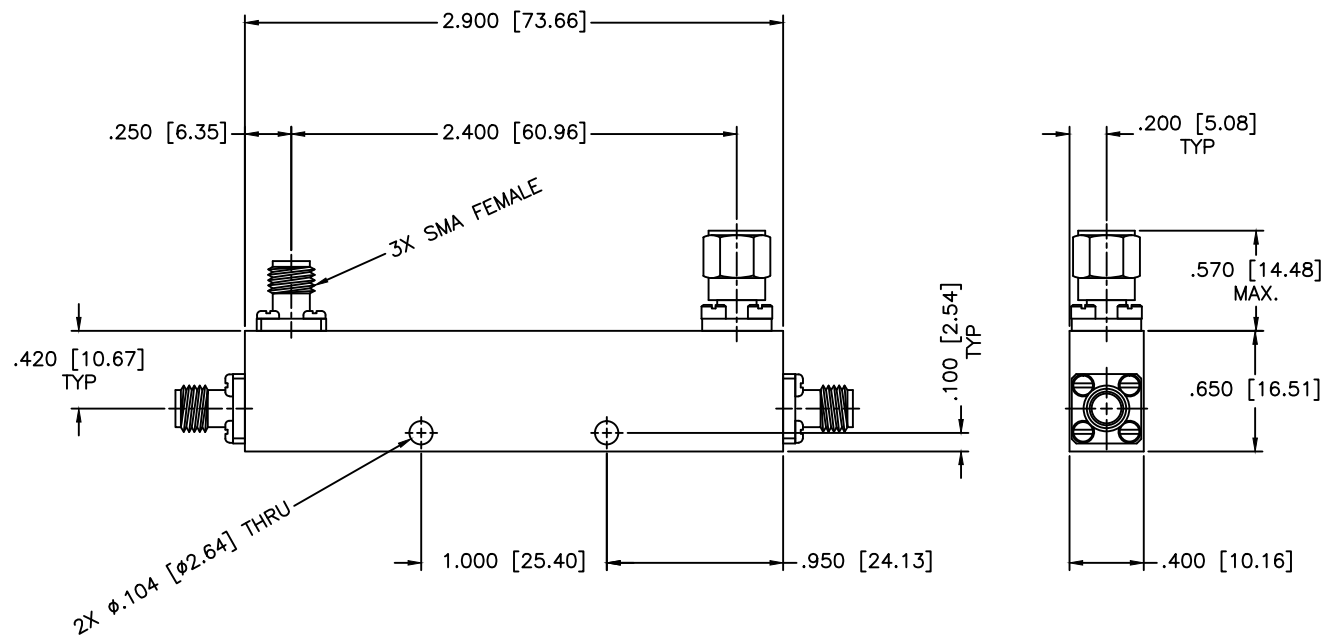


REVISIONS				
ZONE	REV	DESCRIPTION	DATE	APPROVED



**SPECIFICATIONS**

Frequency Range: 1–18 GHz  
 VSWR: 1.65:1 Max.  
 Coupling: 10±1.0dB  
 Insertion Loss: 1.6dB Max.  
 Directivity: 12dB Min.  
 Frequency Sensitivity: ±0.7dB  
 Power Incident, Reflected: 20W, 5W, 3kW Peak

MATERIAL:		MICROWAVE COMMUNICATIONS LABORATORIES INC. 7255 30TH AVE. N. SAINT PETERSBURG, FL 33710 TEL: (727) 344-6254 FAX: (727) 381-6116 http://WWW.MCLI.COM	SCALE:	N/A
			SHEET:	N/A
		UNLESS OTHERWISE SPECIFIED: TOLERANCES IN (INCHES) OR [mm] (MILLIMETERS) FRACTIONS: ± 1/64 DECIMALS: ±.01 ±.005 ANGLE: ±1/2°	DRAWING TITLE: <b>DIRECTIONAL COUPLER</b>	
		PROPRIETARY NOTICE: THE INFORMATION IN THIS DRAWING IS PROPRIETARY AND SHALL NOT BE USED OR DISCLOSED WITHOUT WRITTEN PERMISSION FROM MICROWAVE COMMUNICATIONS LABORATORIES INC. (MCLI)	PART NO. <b>CB7-10</b>	
DRAWN:	DATE:	THIRD ANGLE PROJECTION 	CAGE CODE:	DWG NO.
Paiboon Luekhamhan T. Nguyen	02-02-2010 02-02-2010		OD2L5	SIZE: A REV: B DO NOT SCALE THE DRAWING