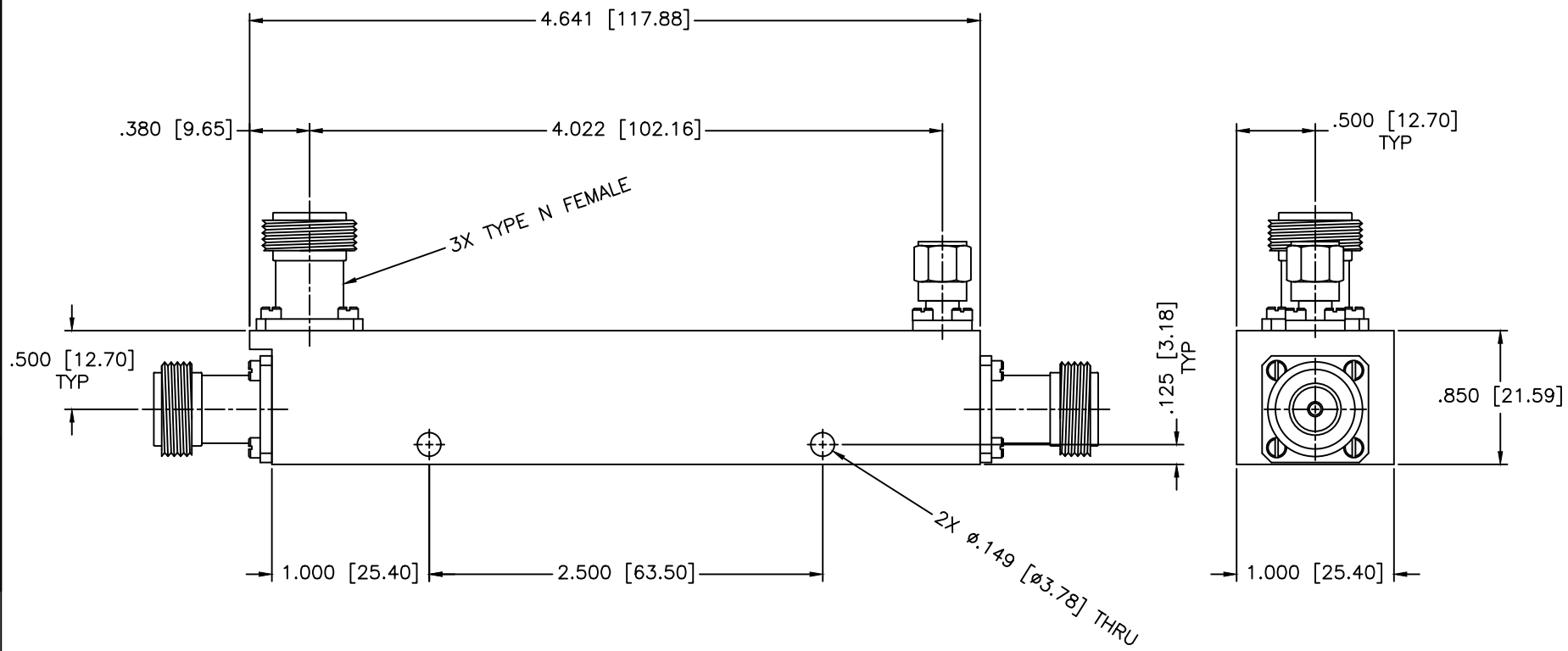


REVISIONS				
ZONE	REV	DESCRIPTION	DATE	APPROVED



SPECIFICATIONS

- Frequency Range: 0.5–7 GHz
- Coupling: 10±1dB
- Insertion Loss: 1.30dB Max.
- Isolation: 15dB Min.
- Power Rating: 20W
- VSWR: 1.45:1 Max.
- Frequency Sensitivity: ±0.8dB

MATERIAL:			MICROWAVE COMMUNICATIONS LABORATORIES INC. 7255 30TH AVE. N. SAINT PETERSBURG, FL 33710 TEL: (727) 344-6254 FAX: (727) 381-6116 http://WWW.MCLI.COM		SCALE:	N/A
			UNLESS OTHERWISE SPECIFIED: TOLERANCES IN (INCHES) OR [mm] (MILLIMETERS) FRACTIONS: ± 1/64 DECIMALS: ±.01 ±.005 ANGLE: ±1/2°		SHEET:	N/A
DRAWING TITLE:		DIRECTIONAL COUPLER				
PART NO.:		CB62-10/NF				
DRAWN:	DATE:	PROPRIETARY NOTICE:	CAGE CODE:	SIZE:	REV:	DWG NO.:
Paiboon luekhamhan	02-24-2015	THE INFORMATION IN THIS DRAWING IS PROPRIETARY AND SHALL NOT BE USED OR DISCLOSED WITHOUT WRITTEN PERMISSION FROM MICROWAVE COMMUNICATIONS LABORATORIES INC. (MCLI)	OD2L5	A	N/A	86565
APPROVED:	DATE:	THIRD ANGLE PROJECTION	DO NOT SCALE THE DRAWING			
T. Nguyen	02-24-2015					