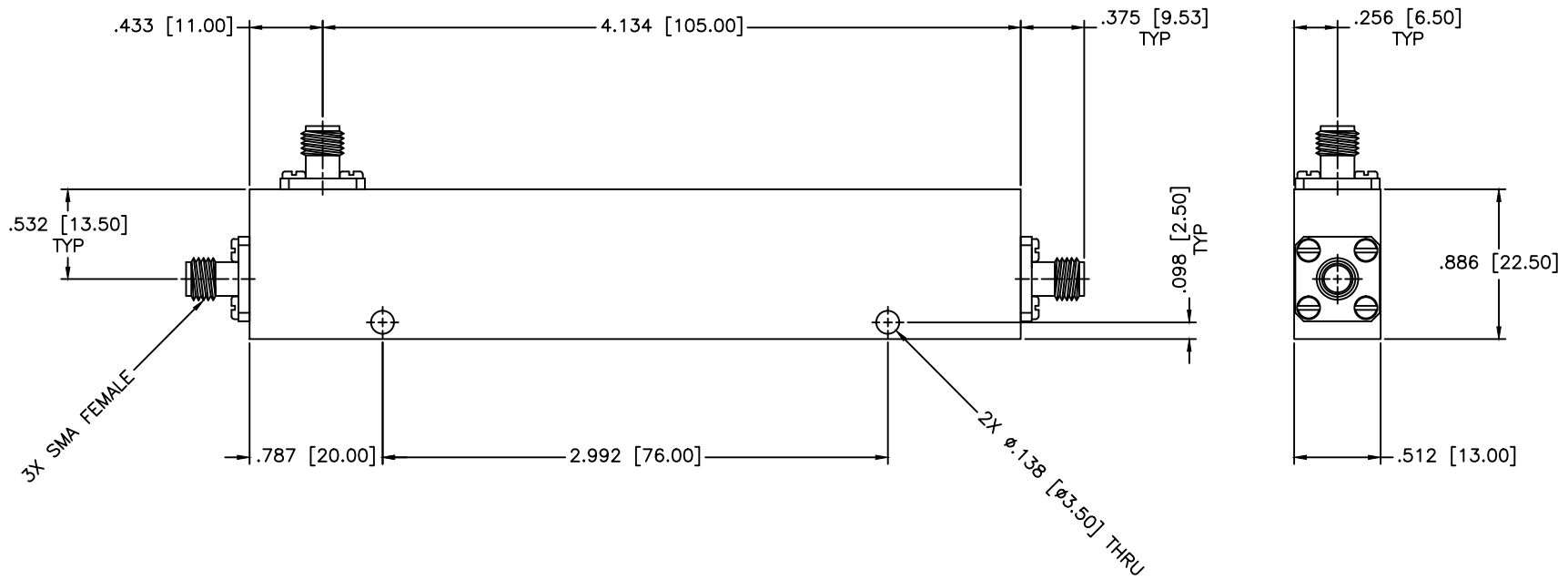


REVISIONS				
ZONE	REV	DESCRIPTION	DATE	APPROVED



**SPECIFICATIONS**

Frequency Range: 800–2500 MHz  
 VSWR: 1.25:1 Max.  
 Coupling:  $6 \pm 1.5$  dB  
 Insertion Loss: 2.3 dB Max.  
 Directivity: 16 dB Min.  
 Power: 50W  
 Operating Temperature:  $-35^{\circ}\text{C}$  to  $+55^{\circ}\text{C}$

MATERIAL:		MICROWAVE COMMUNICATIONS LABORATORIES INC. 7255 30TH AVE. N. SAINT PETERSBURG, FL 33710 TEL: (727) 344-6254 FAX: (727) 381-6116 http://WWW.MCLI.COM	SCALE: N/A			
			SHEET: N/A			
DRAWING TITLE:		DIRECTIONAL COUPLER				
PART NO.:		CB59-6				
DRAWN:	DATE:	PROPRIETARY NOTICE: THE INFORMATION IN THIS DRAWING IS PROPRIETARY AND SHALL NOT BE USED OR DISCLOSED WITHOUT WRITTEN PERMISSION FROM MICROWAVE COMMUNICATIONS LABORATORIES INC. (MCLI)	CAGE CODE:	SIZE:	REV:	DWG NO.:
APPROVED:	DATE:		OD2L5	A	N/A	82588
THIRD ANGLE PROJECTION		DO NOT SCALE THE DRAWING				