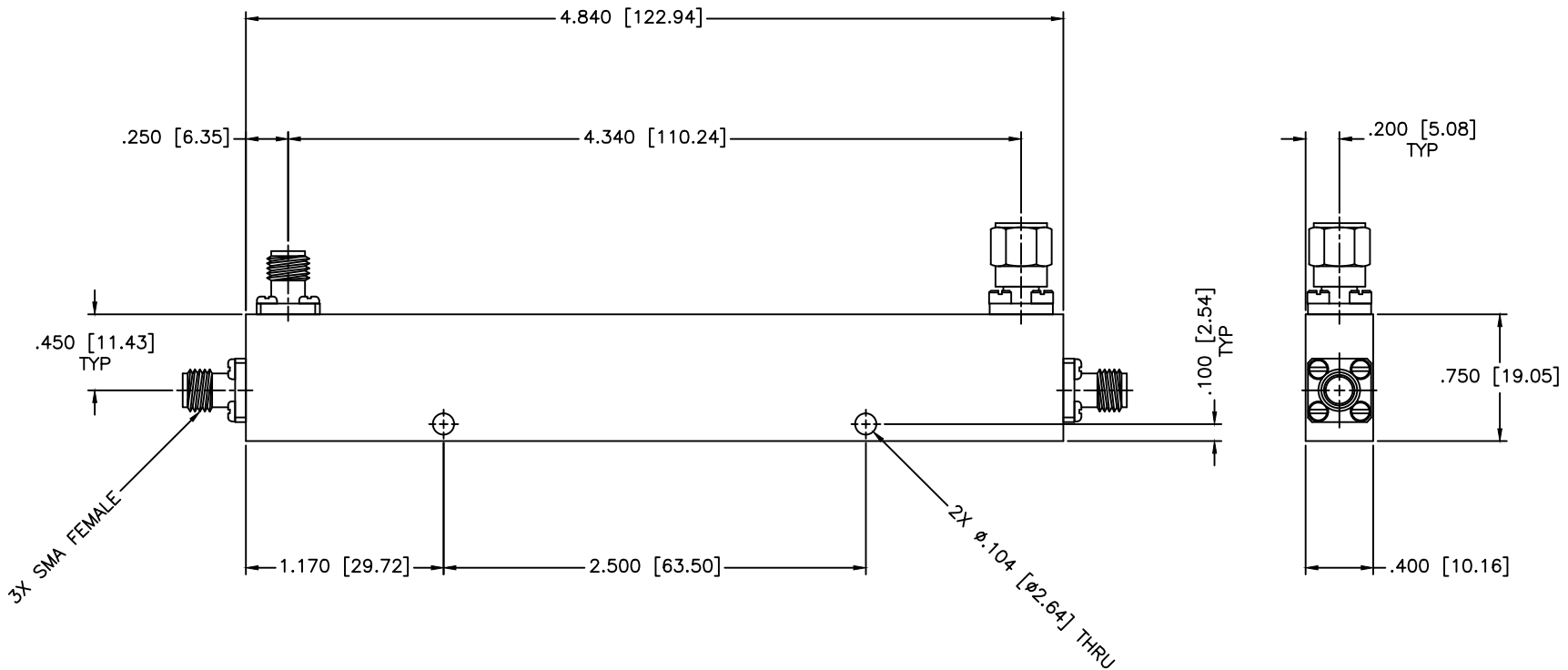


REVISIONS				
ZONE	REV	DESCRIPTION	DATE	APPROVED



**SPECIFICATIONS**

Frequency Range: 1–4.2 GHz  
 VSWR: 1.28:1 Max.  
 Coupling: 20±1.0dB  
 Insertion Loss: 0.9dB Max.  
 Directivity: 23dB Min.  
 Frequency Sensitivity: ±0.5dB  
 Power Incident, Reflected: 50W, 10W, 3kW Peak

MATERIAL:	
DRAWN: Paiboon Luekhamhan	DATE: 11-24-1997
APPROVED: T. Nguyen	DATE: 11-24-1997

	MICROWAVE COMMUNICATIONS LABORATORIES INC. 7255 30TH AVE. N. SAINT PETERSBURG, FL 33710 TEL: (727) 344-6254 FAX: (727) 381-6116 http://WWW.MCLI.COM		SCALE: N/A
	UNLESS OTHERWISE SPECIFIED: TOLERANCES IN (INCHES) OR [mm] (MILLIMETERS) FRACTIONS: ± 1/64 DECIMALS: ±.01 ±.005 ANGLE: ±1/2°		SHEET: N/A
DRAWING TITLE: <b>DIRECTIONAL COUPLER</b>		PART NO. CB57-20	
CAGE CODE: OD2L5	SIZE: A	REV: N/A	DWG NO. 80552
DO NOT SCALE THE DRAWING			

PROPRIETARY NOTICE:  
 THE INFORMATION IN THIS DRAWING IS PROPRIETARY  
 AND SHALL NOT BE USED OR DISCLOSED WITHOUT WRITTEN  
 PERMISSION FROM MICROWAVE COMMUNICATIONS  
 LABORATORIES INC. (MCLI)  
 THIRD ANGLE PROJECTION