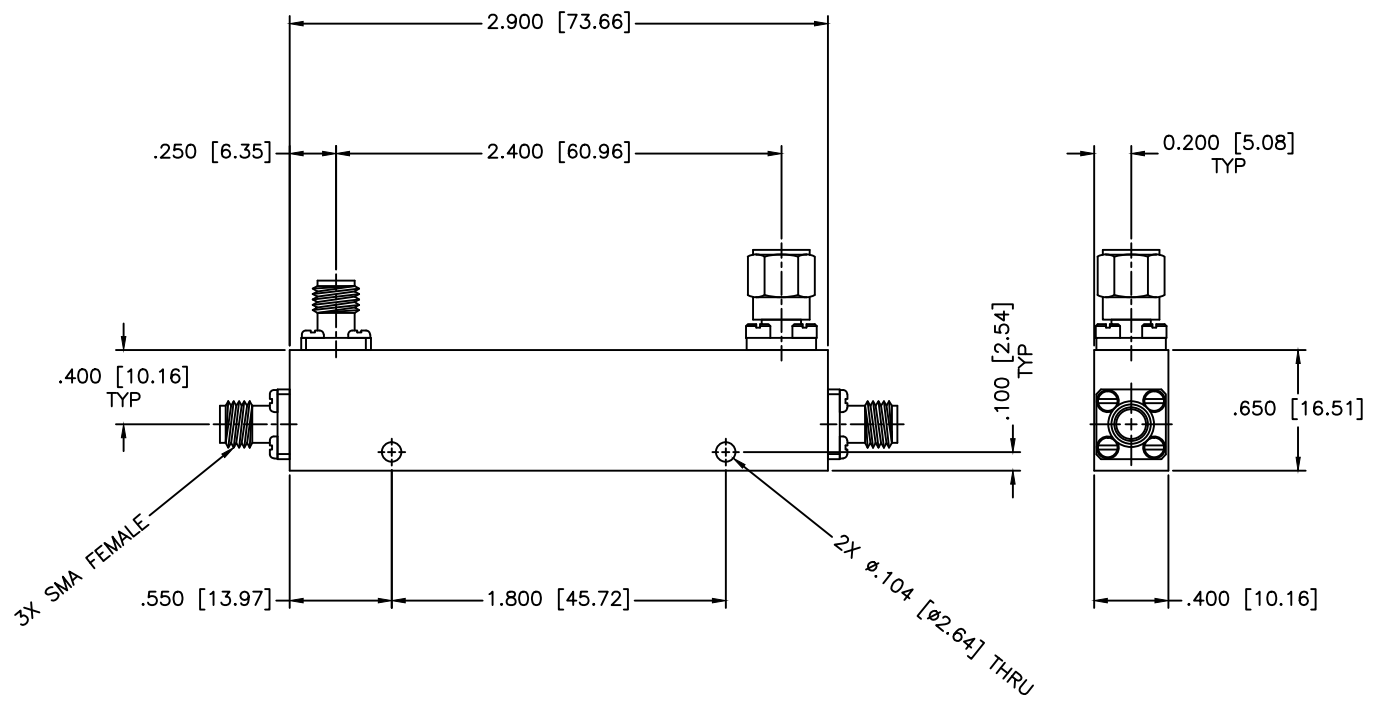


REVISIONS				
ZONE	REV	DESCRIPTION	DATE	APPROVED



SPECIFICATIONS

Frequency Range: 1-4 GHz
 VSWR: 1.20:1 Max.
 Coupling: 30±1.0dB
 Insertion Loss: 0.9dB Max.
 Directivity: 23dB Min.
 Frequency Sensitivity: ±0.5dB
 Power: 50W, 3kW Peak
 Operating Temperature: -54°C to +85°C

MATERIAL:			MICROWAVE COMMUNICATIONS LABORATORIES INC. 7255 30TH AVE. N. SAINT PETERSBURG, FL 33710 TEL: (727) 344-6254 FAX: (727) 381-6116 http://WWW.MCLI.COM		SCALE: N/A
UNLESS OTHERWISE SPECIFIED: TOLERANCES IN (INCHES) OR [mm] (MILLIMETERS) FRACTIONS: ± 1/64 DECIMALS: ±.01 ±.005 ANGLE: ±1/2°			DRAWING TITLE: DIRECTIONAL COUPLER		SHEET: N/A
DRAWN: Paiboon Luekhamhan		DATE: 02-11-2011		PART NO. CB51-30	
APPROVED: T. Nguyen		DATE: 02-11-2011		CAGE CODE: OD2L5	SIZE: A REV: N/A DWG NO. 85505
		PROPRIETARY NOTICE: THE INFORMATION IN THIS DRAWING IS PROPRIETARY AND SHALL NOT BE USED OR DISCLOSED WITHOUT WRITTEN PERMISSION FROM MICROWAVE COMMUNICATIONS LABORATORIES INC. (MCLI)		DO NOT SCALE THE DRAWING	
		THIRD ANGLE PROJECTION			