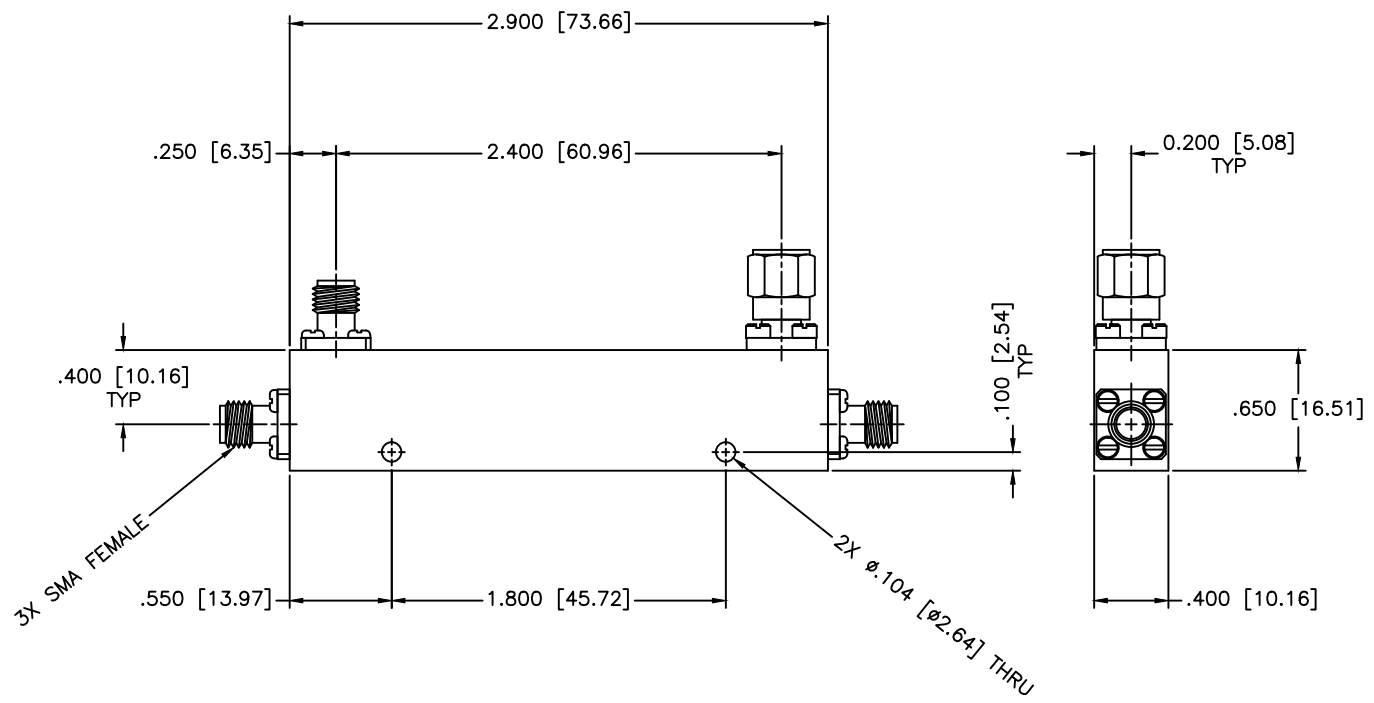


REVISIONS				
ZONE	REV	DESCRIPTION	DATE	APPROVED



SPECIFICATIONS

Frequency Range: 1-4 GHz
 VSWR: 1.20:1 Max.
 Coupling: 20±1.0dB
 Insertion Loss: 0.9dB Max.
 Directivity: 23dB Min.
 Frequency Sensitivity: ±0.5dB
 Power Incident, Reflected: 50W, 10W, 3kW Peak

MATERIAL:			MICROWAVE COMMUNICATIONS LABORATORIES INC. 7255 30TH AVE. N. SAINT PETERSBURG, FL 33710 TEL: (727) 344-6254 FAX: (727) 381-6116 http://WWW.MCLI.COM		SCALE:	N/A
			UNLESS OTHERWISE SPECIFIED: TOLERANCES IN (INCHES) OR [mm] (MILLIMETERS) FRACTIONS: ± 1/64 DECIMALS: ±.01 ±.005 ANGLE: ±1/2°	DRAWING TITLE:		SHEET:
DRAWN:		PART NO.		DIRECTIONAL COUPLER		
DATE:		CAGE CODE:		CB51-20		
APPROVED:		SIZE:		DO NOT SCALE THE DRAWING		
DATE:		REV:		81773		
THIRD ANGLE PROJECTION		DWG NO.				