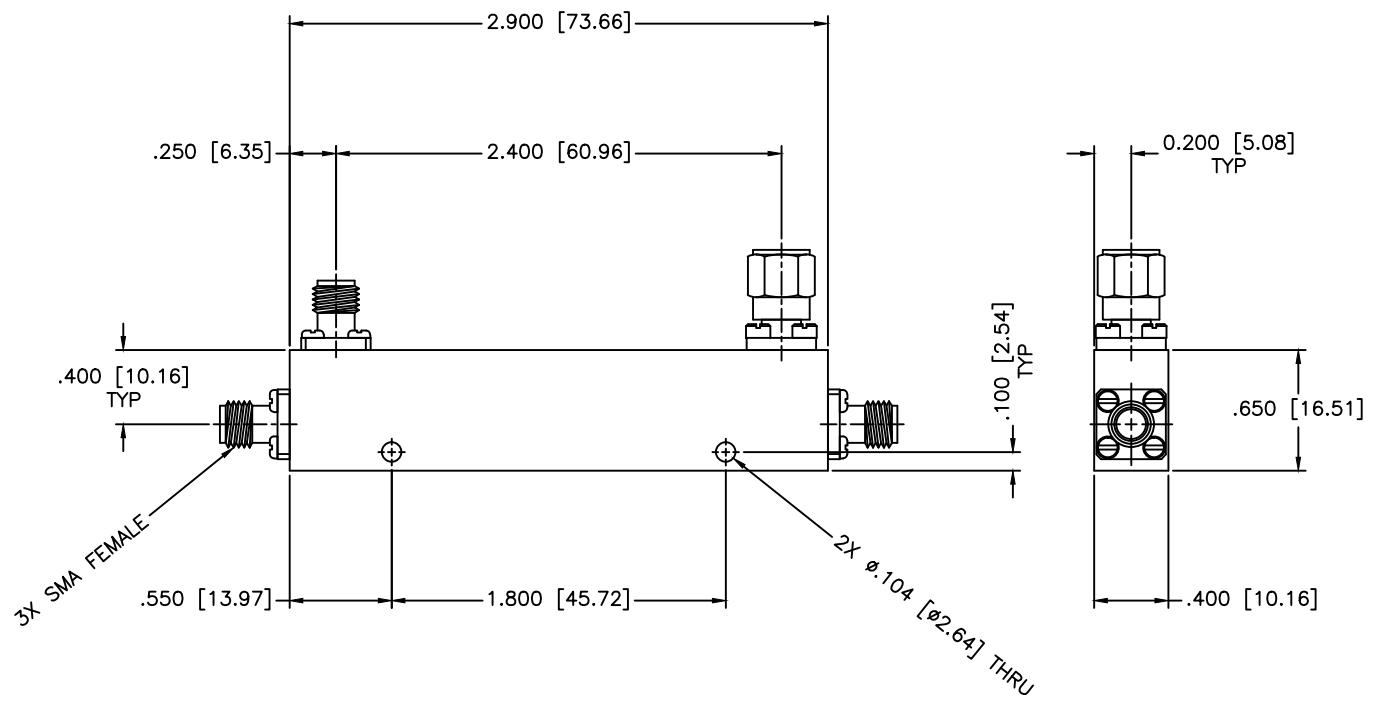


REVISIONS				
ZONE	REV	DESCRIPTION	DATE	APPROVED



**SPECIFICATIONS**

Frequency Range: 1-4 GHz  
 VSWR: 1.20:1 Max.  
 Coupling: 10±1.0dB  
 Insertion Loss: 0.9dB Max.  
 Directivity: 23dB Min.  
 Frequency Sensitivity: ±0.5dB  
 Power Incident, Reflected: 50W, 5W, 3kW Peak

MATERIAL:			MICROWAVE COMMUNICATIONS LABORATORIES INC. 7255 30TH AVE. N. SAINT PETERSBURG, FL 33710 TEL: (727) 344-6254 FAX: (727) 381-6116 http://WWW.MCLI.COM		SCALE:	N/A	
			UNLESS OTHERWISE SPECIFIED: TOLERANCES IN (INCHES) OR (mm) (MILLIMETERS) FRACTIONS: ± 1/64 DECIMALS: ±.01 ±.005 ANGLE: ±1/2°		DRAWING TITLE:	DIRECTIONAL COUPLER	
DRAWN:		DATE:		PART NO.			DWG NO.
Paiboon Luekhamhan		05-20-2004		CB51-10			
APPROVED:		DATE:		CAGE CODE:	SIZE:	REV:	81772
T. Nguyen		05-20-2004		OD2L5	A	N/A	
PROPRIETARY NOTICE: THE INFORMATION IN THIS DRAWING IS PROPRIETARY AND SHALL NOT BE USED OR DISCLOSED WITHOUT WRITTEN PERMISSION FROM MICROWAVE COMMUNICATIONS LABORATORIES INC. (MCLI)				THIRD ANGLE PROJECTION 		DO NOT SCALE THE DRAWING	